



**RED BANK<sup>®</sup>** chimney pots & gas flue terminals

# Contents

4	Round Tapered	14 - 17	Ornamental
5 - 6	Beaded Flue Terminals	18	'H'-Type
7	Octagons	19	Large Rectangular/Circular
8	Squares	20 - 21	Specials
9	Scottish	22	Inserts
10 - 11	Louvres	23 - 25	Gas Flue Terminals
12 - 13	Traditional	26 - 27	Suitability and Application Notes

Red Bank has been producing chimney products for nearly one hundred years, alongside its many other quality clay building products. With such a wealth of experience and expertise, Red Bank has achieved technical excellence in an unrivalled product range, adding distinction and character to all types of architecture.

In addition to these chimney and roofing products, Hanson manufacture a large range of associated building materials, including; bricks, blocks and mortars. For further information on these products please visit [www.hanson.biz/uk](http://www.hanson.biz/uk)

## Hanson Plc a Global Business

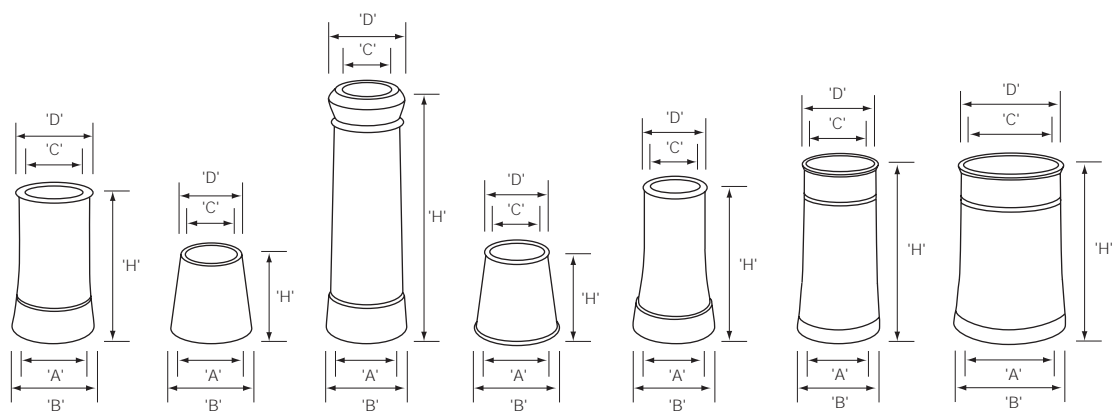
Hanson is one of the world's largest suppliers of heavy building materials to the construction industry, with a turnover in 2006 of £4.1bn. Our products fall into two categories: Aggregates (crushed rock, sand and gravel, ready-mix concrete, asphalt and cement related products) and Building Products (clay bricks, pre-cast products and concrete pavers, blocks, tiles and pipes). We employ 26,000 people, operating primarily in North America, the UK and Australia with further operations in Asia Pacific and Continental Europe. Hanson Building Products UK incorporates London Brick, Thermalite, Red Bank, Cradley and Formpave.

Products available in red, buff and slate bodymix. All dimensions are in mm, drawings not to scale and all sizes nominal. The colours in this brochure are as true as can be obtained by the normal printing process. Red Bank Manufacturing is committed to a program of continuous product development and reserve the right to alter specifications without prior notification.

# Index

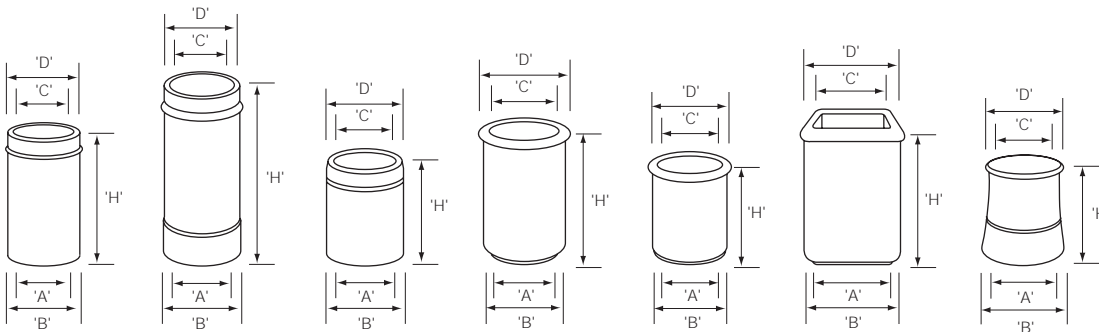
list no.	description	page	list no.	description	page	list no.	description	page
1	Roll Top	4	63	Common Beaded Pot	5	126	Square Base Octagon Pot	7
2	Plain Tapered	4	64	Beaded Base Pot	5	127	Round Based Bishop	13
3	Plain Beehive	17	65	Jamieson	15	128	Beaded Rebated	5
4	Cannon Head - Traditional	4	66	Square Pot	8	129	Beaded Rebated	5
5	Louvre Insert	10	67	Square Pot	8	129	Beaded	5
6	Bishop	13	69	Square Taper Pot	8	130	Beaded	19
7	Square Panelled Pot	8	71	Crown Louvre Top	11	131	Beaded	19
8	Fluted Round	14	72	Crown Louvre Top	11	132	Beaded	19
9	Rectangular Base Octagon Pot	7	73	Louvre Top	11	134	Contemporary Cannon	4
10	Champion	13	74	Hooded Louvre Top	11		Head Pot	
11	Louvre	10	75	Louvre Base	11	145	DFE Pot	25
12	Capped Louvre	10	78	Beaded Cannon Head	14	146	DFE Insert	25
13	Capped Louvre Insert	10	79	Octagon Pot	7	146	DFE Square Insert	25
14	Pocket Beehive	17	80	Octagon Pot	7	147	DFE Pot with Birdguard	25
15	Two Roll	16	81	Octagon Pot	7	148	DFE Insert with Birdguard	25
16	Square Plain Pot	8	82	Ornamental Round	17	149	DFE Pot Circular Base	25
17	Lancashire Bishop	13	83	London Roll	16		with Birdguard	
18	Lady Broughton	15	87	Flush Beaded Flue	5	150	Blanked Roll Top	5
20	Four Pocket Roll	17	88	Hooded Square with Pockets	8	151	DFE Pot Square Base	25
22	Three Roll	16	90	Moulded Taper	16		with Birdguard	
24	Roll Taper	4	91	Irish Roll	17	152	Hooded Square Pot	25
26	Three Rib Roll	16	92	Rectangular Taper	14		with Birdguard	
27	Square Spiked Pot	8	93	Moulded Taper	17	160	Rectangular Plain Beaded	19
29	Cowl Top	12	94	Hooded Pot	17	161	Rectangular Plain Beaded	19
30	Hood Top	22	97	'H' Pot	18	162	Rectangular Fleur de Lys	19
31	Barrel Top	12	98	'H' Insert	18	163	Rectangular Fleur de Lys	19
35	Tapered Louvre	15	100	Plain Can	9	164	Rectangular Castellated	19
36	Octagon Louvre Pot	7	101	Horned Can	9	165	Rectangular Castellated	19
38	Cannon Head Louvre	15	102	Plain Cap	9	175	BSS Type 4D	6
39	Plain Octagon Pot	7	103	Hood Top (Square Spigot)	22	176	BSS Type 5E	6
42	Crown	14	104	Horned Cap	9	177	BSS Type 5E	6
43	Rook	14	106	Three Ring Louvre Top	11	178	BSS Type 6F	6
45	Fluted Pedestal	14	107	Four Ring Louvre Top	11	179	BSS Type 6F	6
46	Ornamental Louvre	15	108	Five Ring Louvre Top	11	180	BSS Type 6F	6
47	Three Groove Roll	16	109	Six Ring Louvre Top	11	181	BSS Type 6F	6
48	Three Ring Louvre Top	10	110	Ornamental Base	11	182	BSS Type 6F	6
49	Four Ring Louvre Top	10	111	Marcone Cap	12	534	GC9	24
50	Five Ring Louvre Top	10	112	Venetian Cap	12	610	GC2 Base	23
50A	Six Ring Louvre Top	10	113	Capped Can	15	611	GC2 Top	23
51	Sheffield Louvre Base	10	114	Contemporary Cannon	4	612	GC2 Insert	23
52	Dublin Can	15		Head Pot		613	GC3 Insert	23
53	Square Base Octagon Pot	7	115	Three Horned Roll Pot	9	617	GC2 Insert Square	23
53	Square Base Octagon Pot	7	116	Weatherguard Top	22	618	Bishop GC2	24
	with Fixed Hood		117	Blank Stopper	22	623	Stangas Insert	24
56	Four Ring Roll	16	118	Mushroom Top	22	624	Crowned GC5 Insert	24
57	Castle	14	119	Mushroom Top	22	625	GC5 Insert	24
58	Venetian	12		(Outside Fitting)		628	Double Beaded Can	9
59	Georgian	13	120	Flue Ventilator	22	629	Edinburgh LM1, LM2, LM3,	9
60	Marcone Flanged Base	12	121	Beaded Rebated	5		LM4, LM5	
60	Marcone Plain Base	12	122	'H' Pot (150mm Tube)	18	634	Captain Pot	20
62	Roll Base	4	123	'H' Pot with Lid	18	636	GC10 Clay Can and Plate	23

# Round Tapered



list no.	description	height	base		top	
			A	B	C	D
1	Roll Top	150, 225, 300, 375, 450, 600, 750, 900, 1050	250 dia	280 dia	200 dia	265 dia
		1200, 1500, 1800	265 dia	300 dia	220 dia	300 dia
2	Plain Tapered	300	250 dia	280 dia	200 dia	240 dia
4	Cannon Head - Traditional	300, 375, 450, 600, 750, 900, 1050	250 dia	280 dia	200 dia	280 dia
		1200, 1500, 1800	265 dia	300 dia	225 dia	320 dia
24	Roll Taper	300, 375, 450	265 dia	300 dia	200 dia	260 dia
62	Roll Base	300, 375, 450, 600, 750, 900, 1050	250 dia	280 dia	200 dia	260 dia
		1200, 1500, 1800	250 dia	290 dia	225 dia	290 dia
114	Contemporary Cannon Head Pot	300, 375, 450, 600, 750, 900, 1050	250 dia	280 dia	200 dia	265 dia
		1200, 1500, 1800	250 dia	300 dia	200 dia	265 dia
134	Contemporary Cannon Head Pot	300, 450, 600	360 dia	400 dia	300 dia	370 dia

# Beaded Flue Terminals

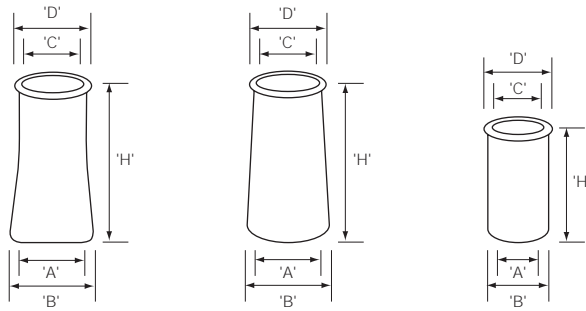


list no.	description	height	base		top	
			A	B	C	D
63	Common Beaded Pot	450, 600	215 dia	260 dia	215 dia	275 dia
64	Beaded Base Pot	450, 600	225 dia	265 dia	210 dia	275 dia
87	Flush Beaded Flue	300	210 dia	260 dia	210 dia	260 dia
121 - 185 *	Beaded Rebated	300, 450	185 dia	230 dia	185 dia	265 dia
121 - 200	Beaded Rebated	300, 450	200 dia	245 dia	200 dia	270 dia
128 - 225	Beaded Rebated	300, 450	225 dia	270 dia	225 dia	290 dia
129 - 185	Beaded Rebated	300, 450	185 sq	235 sq	185 sq	250 sq
129 - 200	Beaded Rebated	300, 450	200 sq	245 sq	200 sq	270 sq
129 - 225	Beaded Rebated	300, 450	225 sq	275 sq	225 sq	295 sq
129 - 250	Beaded Rebated	300, 450	250 sq	310 sq	250 sq	330 sq
129 - 300	Beaded Rebated	300, 450	300 sq	370 sq	300 sq	425 sq
129 - 200	Beaded	300, 450	200 sq	245 sq	200 sq	270 sq
129 - 250	Beaded	300, 450	250 sq	310 sq	250 sq	330 sq
129 - 300	Beaded	300, 450	300 sq	370 sq	300 sq	425 sq
150 *	Blanked Roll Top	300, 450, 600	250 dia	285 dia	-	275 dia

\*see notes on pages 26 and 27 regarding limited application.

**Please Note:**  
Beaded Rebated terminals to suit clay flue linings.

# Beaded Flue Terminals



Square to Round Type 4D

Round to Tapered Type 5E

Round Parallel Type 6F

list no.	description	height	base		top	
		H	A	B	C	D
175*	BSS Type 4D to suit 185 sq flues	300, 450, 600, 750, 900	185 sq	220 sq	150 dia	200 dia
175	BSS Type 4D to suit 200 sq flues	300, 450, 600, 750, 900	200 sq	245 sq	200 dia	265 dia
175	BSS Type 4D to suit 225sq flues	300, 450, 600, 750, 900	225 sq	265 sq	200 dia	265 dia
175	BSS Type 4D to suit 250 sq flues	300, 450, 600, 750, 900	300 sq	340 sq	250 dia	310 dia
175	BSS Type 4D to suit 300 sq flues	300, 450, 600	350 sq	390 sq	300 dia	385 dia
176*	BSS Type 5E to suit 185 dia flues	300, 375, 450, 600, 750, 900	185 dia	220 dia	150 dia	210 dia
177	BSS Type 5E to suit 225 dia flues	300, 375, 450, 600, 750, 900	250 dia	295 dia	200 dia	265 dia
178*	BSS Type 6F to suit 185 dia flues	300, 375, 450, 600, 750, 900	150 dia	180 dia	150 dia	210 dia
179	BSS Type 6F to suit 210 dia flues	300, 375, 450, 600, 750, 900	200 dia	250 dia	200 dia	265 dia
180	BSS Type 6F to suit 225 dia flues	300, 375, 450, 600, 750, 900	225 dia	270 dia	225 dia	285 dia
181	BSS Type 6F to suit 250 dia flues	300, 375, 450, 600, 750, 900	250 dia	295 dia	250 dia	310 dia
182	BSS Type 6F to suit 300 dia flues	300, 375, 450, 600, 750, 900	300 dia	360 dia	300 dia	385 dia

\*see notes on pages 26 and 27 regarding limited application.

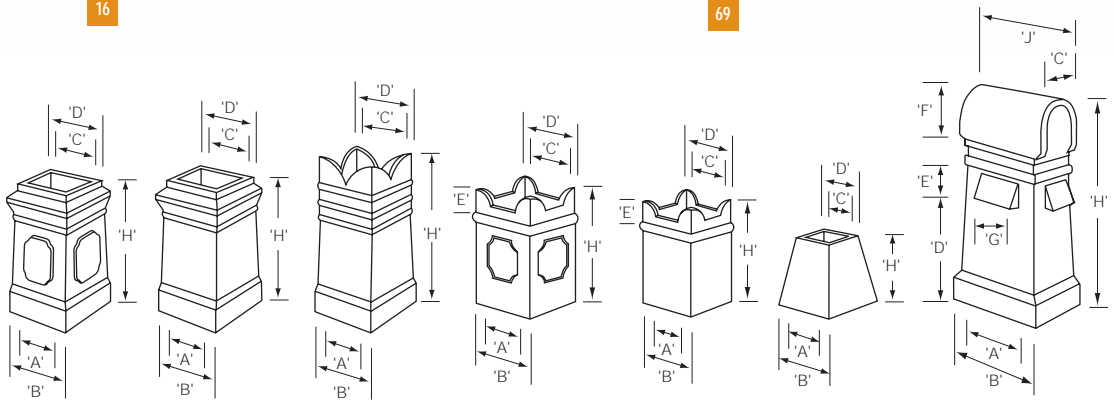
# Octagons



list no.	description	height	base		top	
			A	B	C	D
9	Rectangular Base Octagon Pot	400	290x190	350x225	200 dia	275 dia
36*	Octagon Louvre Pot	600, 750, 900	275 dia	320 dia	175 dia	250 dia
39*	Plain Octagon Pot	600, 900	265 dia	315 dia	150 dia	290 dia
53	Square Base Octagon Pot	375, 450	265 sq	310 sq	200 dia	275 dia
53*	Square Base Octagon Pot complete with Fixed Hood	550	265 sq	310 sq	200 dia	275 dia
79	Octagon Pot	525, 750	250 dia	300 dia	200 dia	285 dia
80	Octagon Pot	600, 750, 900 1200, 1500, 1800	290 dia	340 dia	240 dia	350 dia
81*	Octagon Pot	600, 750, 900 1050	250 dia 365 dia	300 dia 425 dia	180 dia 300 dia	300 dia 415 dia
126	Square Base Octagon Pot	450	265 sq	310 sq	200 dia	275 dia

\*see notes on pages 26 and 27 regarding limited application.

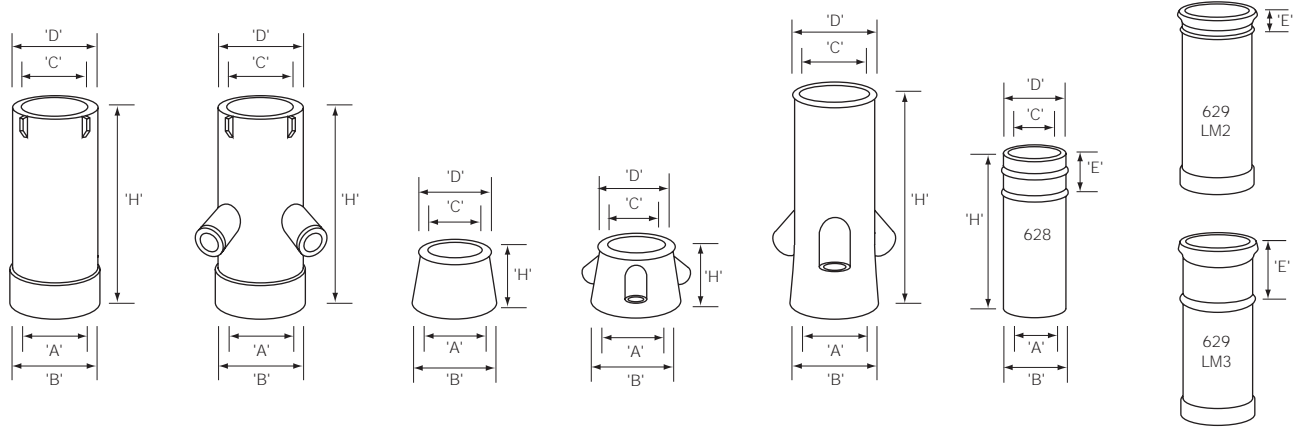
# Squares



list no.	description	height	base		top					
		H	A	B	C	D	E	F	G	J
7	Square Panelled Pot	550	265 sq	315 sq	200 sq	300 sq	-	-	-	-
16	Square Plain Pot	450, 600, 750	265 sq	315 sq	200 sq	300 sq	-	-	-	-
27	Square Spiked Pot	650, 750	250 sq	300 sq	200 sq	285 sq	100	-	-	-
66	Square Pot	525	250 sq	315 sq	240 sq	315 sq	140	-	-	-
67	Square Pot	450	225 sq	275 sq	225 sq	300 sq	140	-	-	-
69*	Square Taper Pot	300	240 sq	290 sq	160 sq	200 sq	-	-	-	-
88	Hooded Square with Pockets	875	250 sq	315 sq	210 sq	430 sq	90	225	140	360
		875	300 sq	370 sq	250 sq	350 sq	100	275	140	400

\*see notes on pages 26 and 27 regarding limited application.

# Scottish



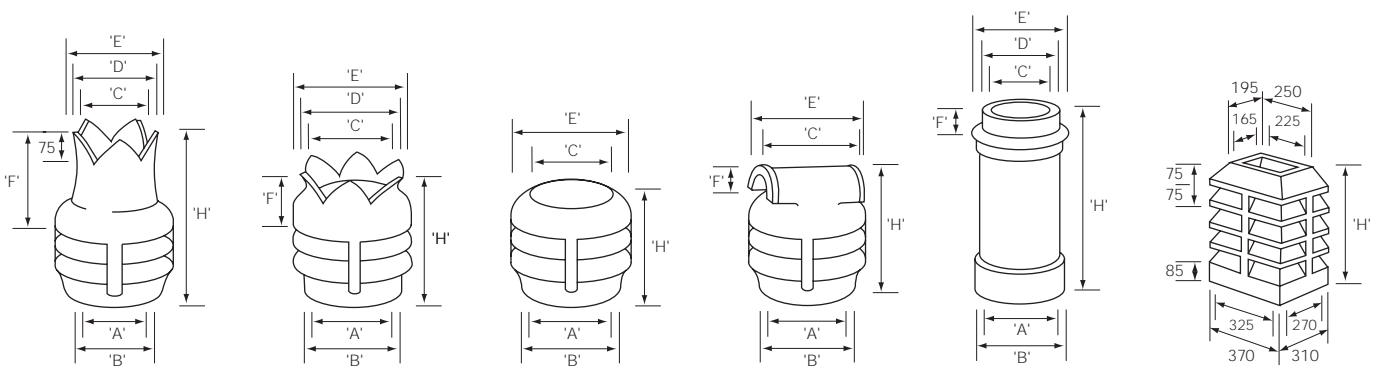
list no.	description	height	base		top		
			A	B	C	D	E
100	Plain Can	450, 600, 750 900, 1050	250 dia	290 dia	215 dia	265 dia	-
101	Horned Can	450, 600, 750 900, 1050, 1200	260 dia	290 dia	215 dia	265 dia	-
102	Plain Cap	265	250 dia	300 dia	210 dia	270 dia	-
104	Horned Cap	265	300 dia	350 dia	210 dia	270 dia	-
115	Three Horned Roll Pot	450, 600, 750, 900	260 dia	290 dia	200 dia	260 dia	-
628	Double Beaded Can	600, 750, 900	225 dia	260 dia	225 dia	275 dia	180
629	Edinburgh LM1	600, 750, 900, 1200	250 dia	300 dia	250 dia	320 dia	180
629	Edinburgh LM2	600, 750, 900	250 dia	300 dia	250 dia	320 dia	75
629	Edinburgh LM3	600, 750, 900	250 dia	300 dia	250 dia	320 dia	260
629	Edinburgh LM4	750, 900	250 dia	300 dia	250 dia	320 dia	190
629	Edinburgh LM5	600, 750, 900	250 dia	300 dia	250 dia	320 dia	180

# Louvres, Louvre Tops & Bases

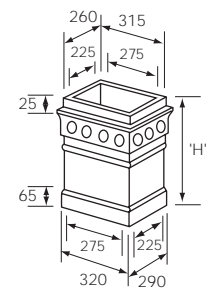
list no.	description	height	base		top					
		H	A	B	C	D	E	F	G	
5 *	Louvre Insert	450	100 dia 125 dia 145 dia 170 dia	135 dia 170 dia 190 dia 205 dia	200 dia -	295 dia -	75 -	90 -	110 -	
11	Louvre	450, 600, 750 900, 1050, 1200 1500, 1800	240 dia	290 dia	200 dia	295 dia	75	90	-	
12 *	Capped Louvre	525 600 750 900	260 dia	290 dia	-	300 dia	110	90	-	
13 *	Capped Louvre Insert	525	100 dia 125 dia 145 dia 170 dia	135 dia 170 dia 190 dia 205 dia	- -	300 dia -	110 -	90 -	110 -	
48	Three Ring Louvre Top	370	275 dia	320 dia	200 dia	-	75	75	-	
49	Four Ring Louvre Top	440	275 dia	320 dia	200 dia	-	75	75	-	
50	Five Ring Louvre Top	510	275 dia	320 dia	200 dia	-	75	75	-	
50A	Six Ring Louvre Top	575	275 dia	320 dia	200 dia	-	75	75	-	
51	Sheffield Louvre Base	300, 375, 450 600, 750, 900	215 dia	260 dia	200 dia	245 dia	50	320 dia	-	

\*see notes on pages 26 and 27 regarding limited application.

# Louvre Tops & Bases

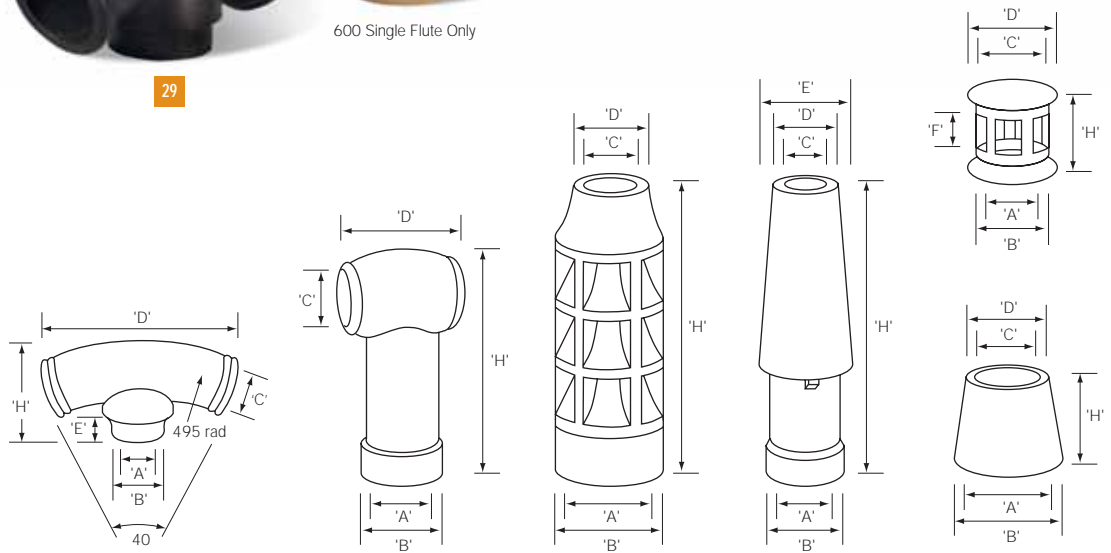


list no.	description	height	base		top			F
			A	B	C	D	E	
71	Crown Louvre Top	525	265 dia	300 dia	200 dia	265 dia	365 dia	225
72	Crown Louvre Top	375	290 dia	320 dia	225 dia	325 dia	380 dia	75
73	Louvre Top	300	265 dia	300 dia	260 dia	-	365 dia	-
74 *	Hooded Louvre Top	415	265 dia	300 dia	285 dia	-	365 dia	115
75	Louvre Base	750	250 dia	295 dia	215 dia	250 dia	310 dia	45
106 *	Three Ring Louvre Top	375			see illustrated detail			
107 *	Four Ring Louvre Top	450			see illustrated detail			
108 *	Five Ring Louvre Top	525			see illustrated detail			
109 *	Six Ring Louvre Top	600			see illustrated detail			
110	Ornamental Base	450			see illustrated detail			



\*see notes on pages 26 and 27 regarding limited application.

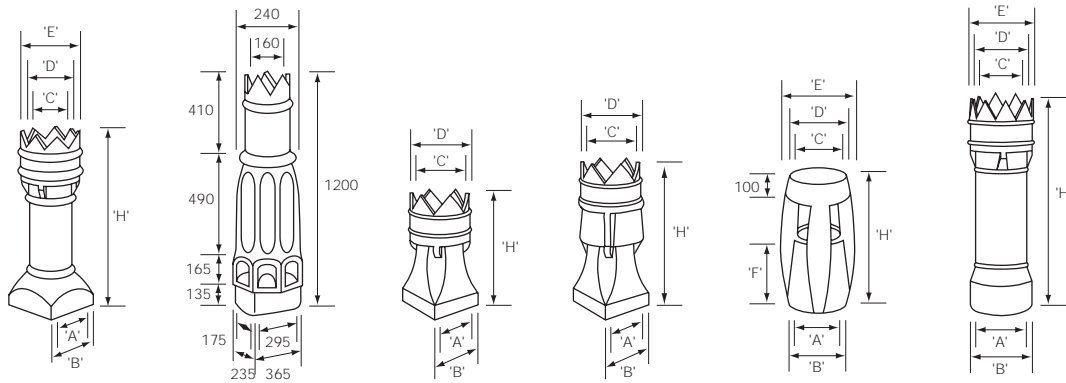
# Traditional



list no.	description	height	base		top		E	F
		H	A	B	C	D		
29 *	Cowl Top	280 280	150 dia 170 dia	190 dia 205 dia	150 dia 150 dia	580 580	55 55	- -
31	Barrel Top	600, 750	250 dia	290 dia	200 dia	375	-	-
58 *	Venetian	600, 750, 900, 1050	240 dia	285 dia	150 dia	185 dia	-	-
60 *	Marcone Flanged Base	600, 990, 1220	240 dia	275 dia	175 dia	220 dia	325 dia	-
60 *	Marcone Plain Base	600, 990, 1220	200 dia	240 dia	175 dia	220 dia	325 dia	-
111	Marcone Cap	240	290 dia	320 dia	200 dia	240 dia	-	-
112 *	Venetian Cap	210	150 dia	195 dia	175 dia	220 dia	-	85

\*see notes on pages 26 and 27 regarding limited application.

# Traditional

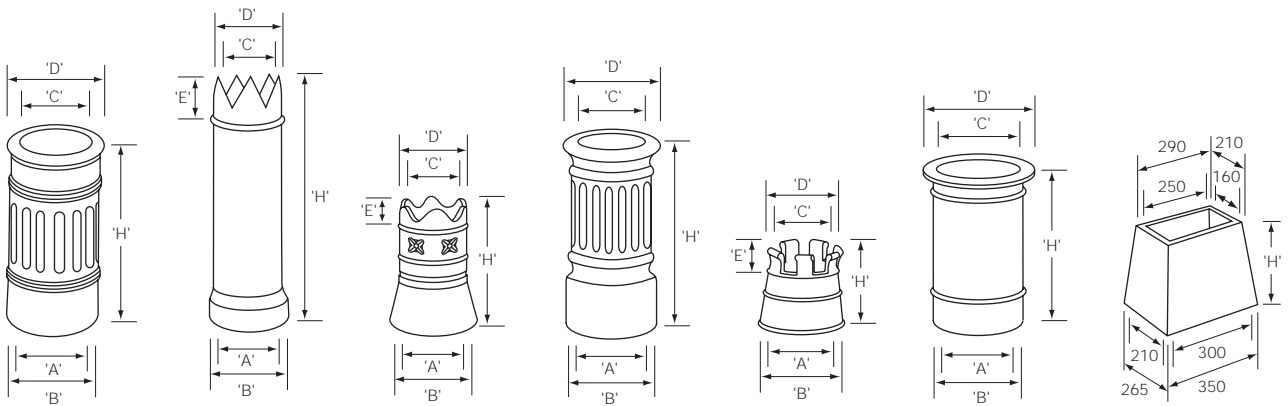


list no.	description	height	base		top			F
			A	B	C	D	E	
6 *	Bishop	600, 750, 900, 1050	290 sq	340 sq	185 dia	260 dia	295 dia	
10 *	Champion		see illustrated detail					
17	Lancashire Bishop	600, 750	290 sq	340 sq	260 dia	295 dia		
	Lancashire Bishop with Louvre	900, 1050	290 sq	340 sq	260 dia	295 dia		
59 *	Georgjan	600	260 dia	310 dia	200 dia	250 dia	340 dia	310
127	Round Based Bishop	600, 750, 900, 1050	290 dia	325 dia	200 dia	280 dia	320 dia	-
		600, 750, 900, 1050	305 dia	345 dia	225 dia	320 dia	360 dia	-
		600, 750, 900, 1050	325 dia	365 dia	250 dia	320 dia	360 dia	-
		600, 750, 900, 1050	380 dia	420 dia	300 dia	375 dia	415 dia	-

**Please Note:**  
Many Traditional patterns are still manufactured to age old designs and may not meet current regulations. If in doubt see notes on pages 26 and 27 regarding limited application or contact Red Bank.

\*see notes on pages 26 and 27 regarding limited application.

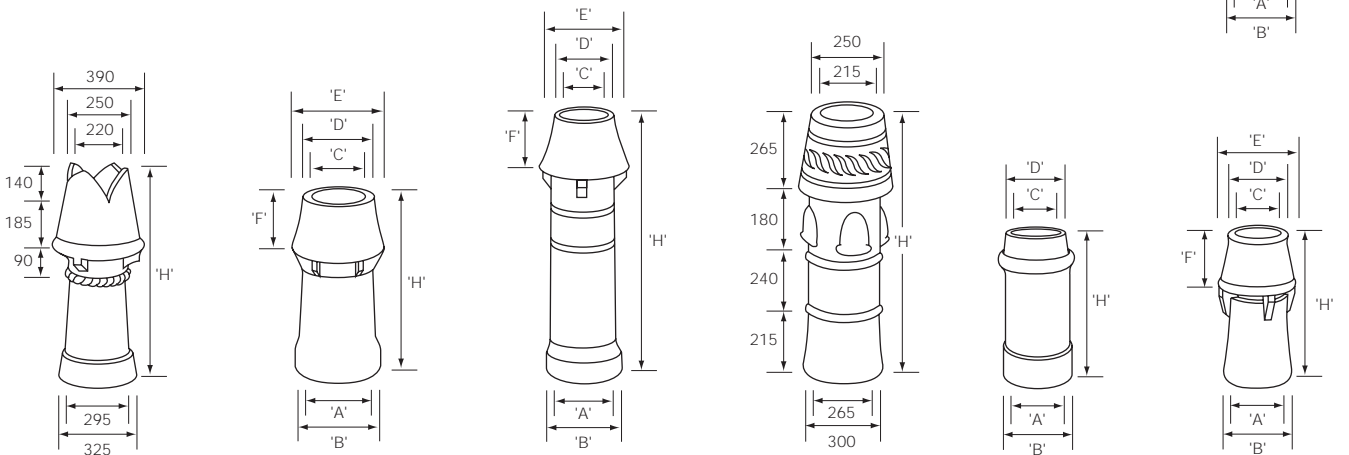
# Ornamental



list no.	description	height	base		top		E	F
			A	B	C	D		
8	Fluted Round	600	275 dia	315 dia	245 dia	315 dia	-	-
42	Crown	450, 600, 900	250 dia	290 dia	200 dia	240 dia	180	-
43	Rook	380 500	250 dia 260 dia	290 dia 300 dia	200 dia 200 dia	240 dia 240 dia	55 45	-
45	Fluted Pedestal	600	265 dia	315 dia	215 dia	290 dia	-	-
57	Castle	300	260 dia	295 dia	200 dia	250 dia	90	-
78	Beaded Cannon Head	550	250 dia	290 dia	210 dia	320 dia	-	-
92*	Rectangular Taper	300	see illustrated detail					

\*see notes on pages 26 and 27 regarding limited application.

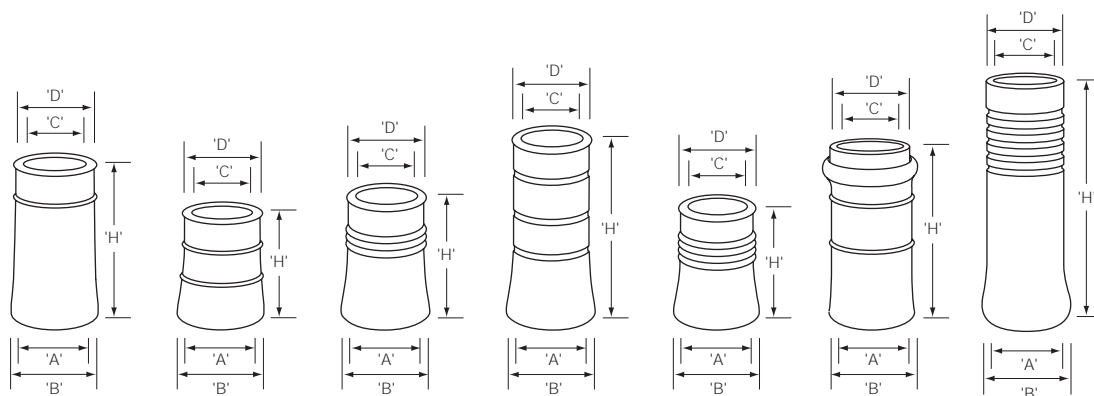
# Ornamental



list no.	description	height	base		top				
		H	A	B	C	D	E	F	
18	Lady Broughton	900, 900			see illustrated detail				
35	Tapered Louvre	600	265 dia	300 dia	200 dia	240 dia	315 dia	175 dia	
38	Cannon Head Louvre	900	260 dia	290 dia	210 dia	240 dia	335 dia	165 dia	
46	Ornamental Louvre	900			see illustrated detail				
52	Dublin Can	600, 750, 900	260 dia	295 dia	210 dia	240 dia			
65	Jamieson	600, 750	260 dia	290 dia	200 dia	245 dia	315 dia	215 dia	
113	Capped Can	700	265 dia	300 dia	215 dia	250 dia	350 dia	215 dia	

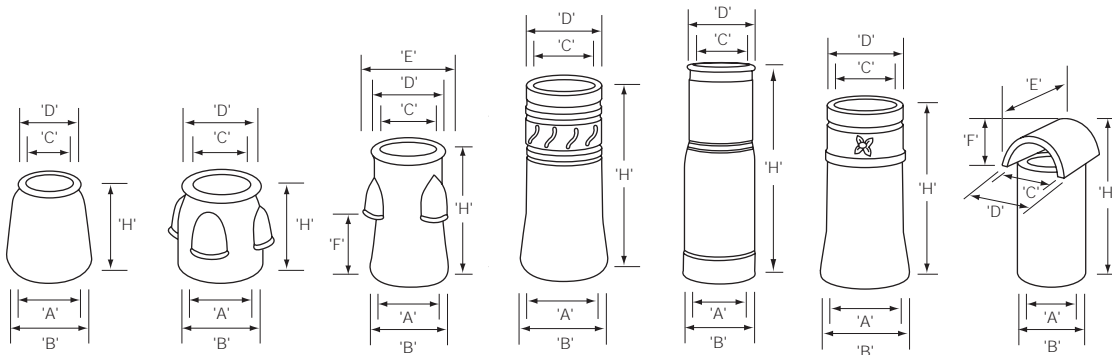
**Please Note:**  
 Many Ornamental patterns are still manufactured to age old designs and may not meet current regulations. If in doubt see notes on pages 26 and 27 regarding limited application or contact Red Bank.

# Ornamental



list no.	description	height	base		top	
			A	B	C	D
15	Two Roll	H 300, 375, 450, 600 750, 900	A 265 dia	B 300 dia	C 200 dia	D 260 dia
22	Three Roll	300, 375, 450, 600 750, 900	265 dia	300 dia	200 dia	260 dia
26	Three Rib Roll	450, 600, 750, 900	265 dia	300 dia	200 dia	260 dia
47	Three Groove Roll	750	265 dia	295 dia	210 dia	260 dia
56	Four Ring Roll	375	265 dia	300 dia	200 dia	260 dia
83	London Roll	600	265 dia	300 dia	220 dia	265 dia
90	Moulded Taper	600, 750	250 dia	290 dia	210 dia	250 dia

# Ornamental

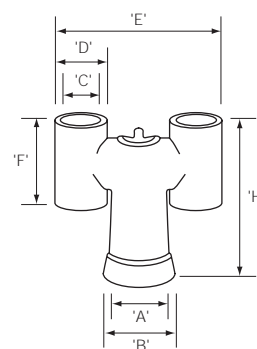
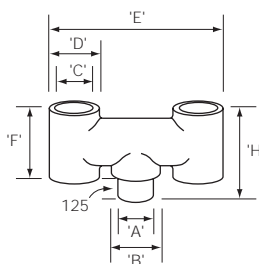
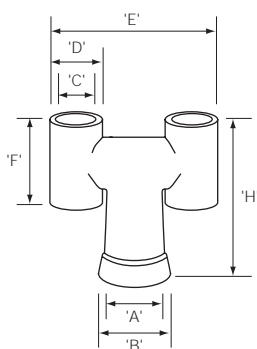


list no.	description	height	base		top			
		H	A	B	C	D	E	F
3	Plain Beehive	300, 375, 450, 600, 675, 750, 900	250 dia	290 dia	200 dia	265 dia	-	-
14	Pocket Beehive	300, 375, 450, 600, 750	250 dia	290 dia	200 dia	260 dia	-	-
20	Four Pocket Roll	450, 600	265 dia	295 dia	200 dia	260 dia	325	250
82	Ornamental Round	600	265 dia	295 dia	210 dia	250 dia	-	-
91*	Irish Roll	300, 375, 450, 600, 750, 900	210 dia	250 dia	175 dia	240 dia	-	-
93	Moulded Taper	550	265 dia	295 dia	200 dia	245 dia	-	-
94*	Hooded Pot	525	215 dia	250 dia	200 dia	245 dia	300	115

\*see notes on pages 26 and 27 regarding limited application.

**Please Note:**  
 Many Ornamental patterns are still manufactured to age old designs and may not meet current regulations. If in doubt see notes on pages 26 and 27 regarding limited application or contact Red Bank.

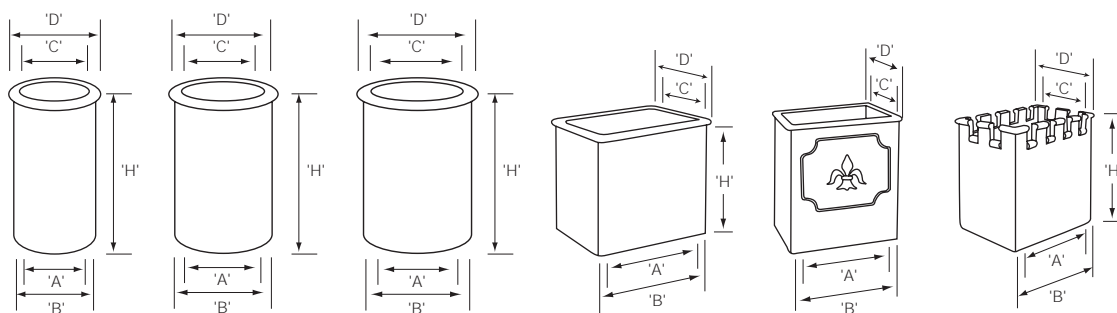
# H-Type



list no.	description	height	base		top			
			A	B	C	D	E	F
97	'H' Pot	600, 750, 900 1050, 1200	260 dia	290 dia	200 dia	240 dia	750	375
98*	'H' Insert	425	190 dia	240 dia	175 dia	225 dia	775	325
98*	'H' Insert	425	205 dia	275 dia	175 dia	225 dia	775	325
122*	'H' Pot (150mm Tube)	600	235 dia	265 dia	150 dia	190 dia	600	300
123	'H' Pot with Lid	600, 750, 900	260 dia	290 dia	200 dia	240 dia	750	375

\*see notes on pages 26 and 27 regarding limited application.

# Flue Terminals to suit Large Rectangular and Circular Flues



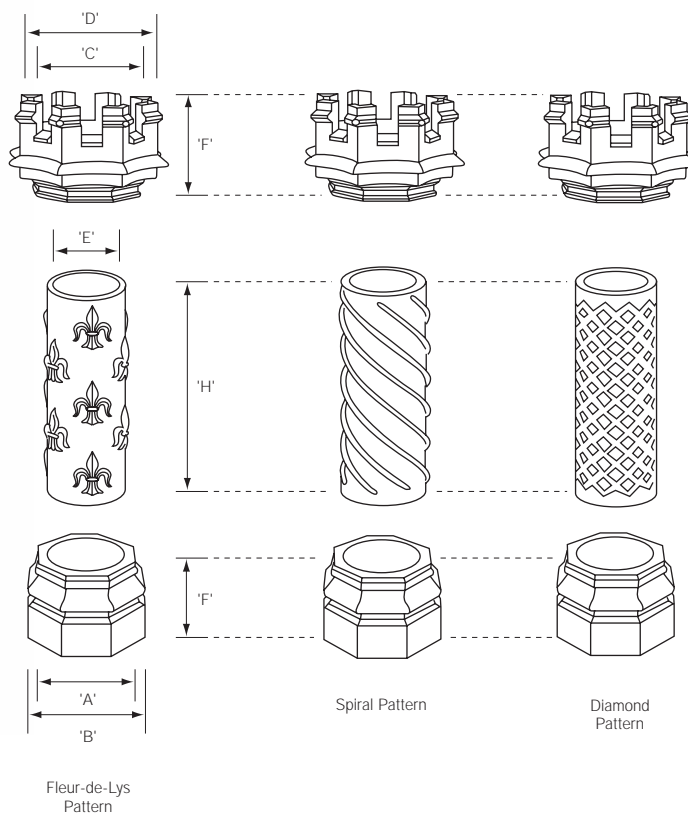
list no.	description	height	base		top	
		H	A	B	C	D
130	Beaded	450, 600, 750, 900	350 dia	400 dia	350 dia	425 dia
131	Beaded	450, 600, 750, 900	400 dia	450 dia	400 dia	475 dia
132	Beaded	450, 600, 750, 900	450 dia	510 dia	450 dia	535 dia
160	Rectangular Plain Beaded to suit 435x310 flues	450, 600	450x320	480x380	450x320	520x400
161	Rectangular Plain Beaded to suit 545x310 flues	450, 600	565x320	630x380	565x320	650x400
162	Rectangular Fleur de Lys to suit 435x310 flues	450, 600	450x320	480x380	450x320	520x400
163	Rectangular Fleur de Lys to suit 545x310 flues	450, 600	565x320	630x380	565x320	650x400
164	Rectangular Castellated to suit 435x310 flues	450, 600	450x320	480x380	450x320	520x400
165	Rectangular Castellated to suit 545x310 flues	450, 600	565x320	630x380	565x320	650x400

# Specials



634

Captain Pot



list no.	description	height	base			top		
			A	B	C	D	E	F
634	Captain Pot	H available in any size according to requirements	360 dia	425 dia	370	530	245 dia	325

# Specials



Hanson Red Bank's bespoke specials have been extensively used on all types of historical buildings and prestigious restoration projects. Commissions have been undertaken on behalf of The National Trust, English Heritage and other associated bodies of historic buildings, specialising in maintenance and refurbishment.

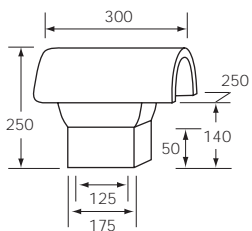
Our skilled craftsmen take pride in the accurate reproduction of existing terracotta chimney pots

and associated special products, creating new innovative designs to meet individual clients' specifications. Bespoke pots may be faithfully reproduced using the original products, drawings or photographs. New patterns may be produced based on specific design concepts, functional and architectural requirements.

For unrivalled expertise and experience please contact Hanson Red Bank's Specials Department.



# Inserts



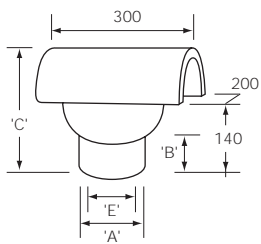
103



117



119



30



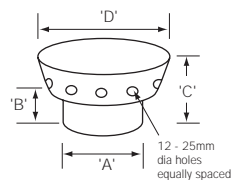
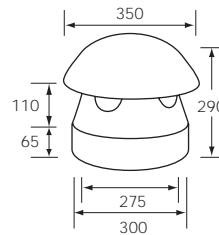
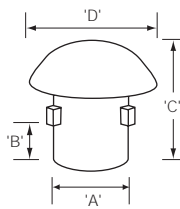
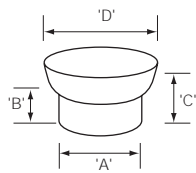
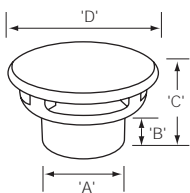
116



118



120

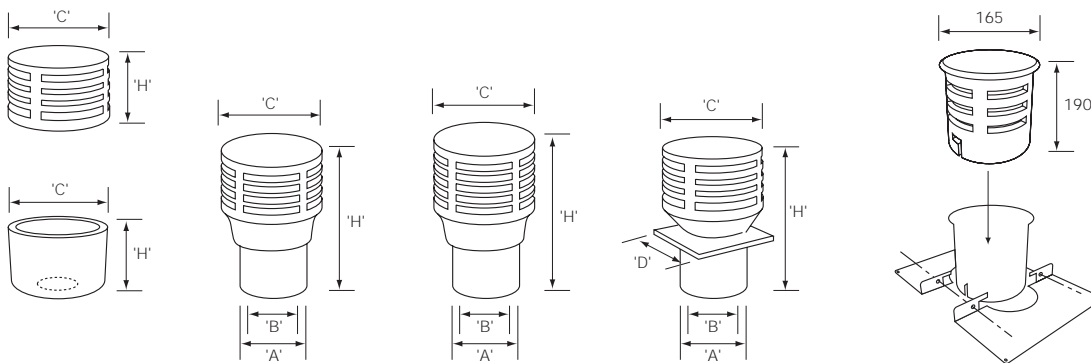


list no.	description	spigot ext. dia.	spigot height	overall	hood width	spigot int dia.
		<b>A</b>	<b>B</b>	<b>C</b>	<b>D</b>	<b>E</b>
30*	Hood Top	135 dia 170 dia 190 dia 205 dia 235 dia	50 50 50 50 50	250 250 250 250 250	200 dia 200 dia 200 dia 200 dia 250 dia	100 dia 125 dia 145 dia 170 dia 200 dia
103*	Hood Top (Square Spigot)			see illustrated detail		
116*	Weatherguard Top	135, 170 dia 190, 205 dia	85 85	170 170	235 dia 285 dia	- -
117*	Blank Stopper	135 dia 170, 190, 205 dia	40 70	75 125	185 dia 250 dia	- -
118*	Mushroom Top	190 dia 205 dia	100 100	280 300	300 dia 300 dia	- -
119*	Mushroom Top (Outside Fitting)			see illustrated detail		
120*	Flue Ventilator	135, 190, 205 dia 235 dia 170 dia	55 70 55	175 175 175	275 dia 325 dia 250 dia	- - -

**Please Note:**  
 Inserts are suitable for ventilation only. Not suitable for any live appliance. This includes gas, solid fuel and oil.  
 List No. 117 does not provide ventilation.  
 Fitting Recommendations:  
 Inserts to be mortar bedded to top of chimney pot to provide a weather seal.

\*see notes on pages 26 and 27 regarding limited application.

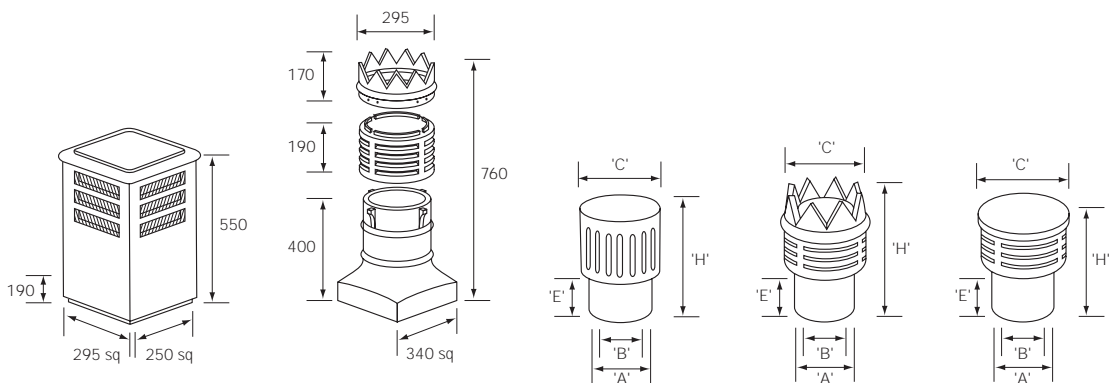
# Gas Flue Terminals



list no.	description	height	spigot ext dia.	spigot int dia.	top	skirt
610 *	GC2 Base	H	A	B	C	D
611 *	GC2 Top	190	-	-	300 dia	-
612 *	GC2 Insert	400	170, 190, 205 dia	130 dia	300 dia	-
613 *	GC3 Insert	440	190, 205 dia	150 dia	300 dia	-
617 *	GC2 Insert Square	400	170 dia	130 dia	300 dia	270 sq
636 *	GC10 Clay Can & plate			see illustrated detail		

\*see notes on pages 26 and 27 regarding limited application.

# Gas Flue Terminals

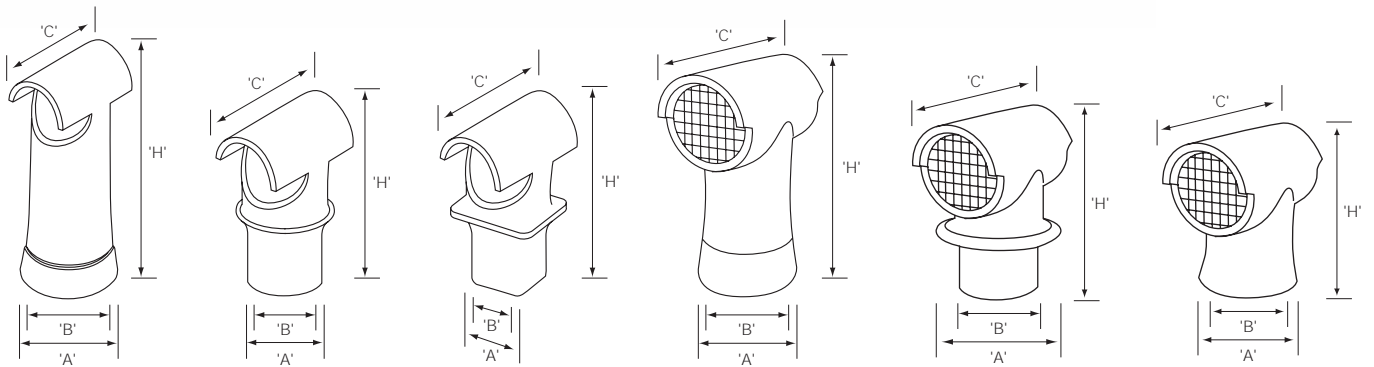


list no.	description	spigot ext.	spigot int.	min. int. pot/flue dim.	height	top	spigot height
		A	B		H	C	E
534 *	GC9			see illustrated detail			
618 *	Bishop GC2			see illustrated detail			
623 *	Stangas Insert	190 dia	145 dia	200	335	245 dia	100
623 *	Stangas Insert	205 dia	170 dia	225	350	245 dia	120
624 *	Crowned GC5 Insert	170 dia	125 dia	185	385	240 dia	145
624 *	Crowned GC5 Insert	190 dia	140 dia	200	385	240 dia	145
625 *	GC5 Insert	170 dia	125 dia	185	300	260 dia	140
625 *	GC5 Insert	190 dia	140 dia	200	300	260 dia	140
625 *	GC5 Insert	205 dia	170 dia	225	300	260 dia	140

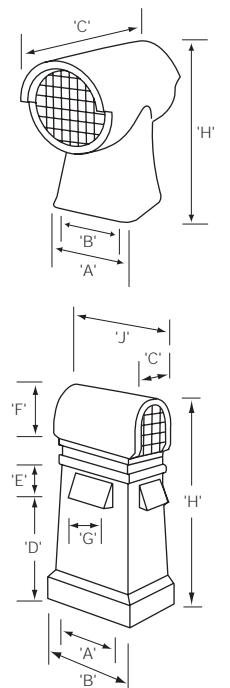
\*see notes on pages 26 and 27 regarding limited application.

**Please Note:**  
 Bishop GC2 Crown to be secured to top section with 16swg. copper wire and sealed with mortar, ensuring the drainage holes are clear, top section seated on bead of mortar to the top ring and lugs of base.

# Decorative Fuel Effect Pots & Inserts



list no.	description	height	base/ spigot ext.	base/ spigot int.	hood	skirt					
		H	A	B	C	D	E	F	G	J	
145 *	DFE Pot	560, 710, 860	285 dia	250 dia	300	-	-	-	-	-	
146 *	DFE Insert	435	215 dia	185 dia	300	280	-	-	-	-	
146 *	DFE Insert	450	235 dia	190 dia	300	280	-	-	-	-	
146 *	DFE Insert	470	270 dia	215 dia	350	350	-	-	-	-	
146 *	DFE Square Insert	450	210 sq	175 sq	300	300	-	-	-	-	
146 *	DFE Square Insert	500	235 sq	190 sq	300	315	-	-	-	-	
146 *	DFE Square Insert	510	270 sq	225 sq	380	380	-	-	-	-	
147 *	DFE Pot with Birdguard	600	285 dia	250 dia	400	-	-	-	-	-	
148 *	DFE Insert with Birdguard	500	215 dia	185 dia	400	280	-	-	-	-	
148 *	DFE Insert with Birdguard	510	235 dia	190 dia	440	350	-	-	-	-	
148 *	DFE Insert with Birdguard	575	270 dia	225 dia	475	350	-	-	-	-	
148 *	DFE Insert with Birdguard	525	210 sq	175 sq	300	300	-	-	-	-	
148 *	DFE Insert with Birdguard	550	235 sq	190 sq	300	315	-	-	-	-	
148 *	DFE Insert with Birdguard	600	270 sq	225 sq	380	380	-	-	-	-	
149 *	DFE Pot Circular Base with Birdguard	600	410 dia	370 dia	600	-	-	-	-	-	
151 *	DFE Pot Square Base with Birdguard	600	395 sq	350 sq	600	-	-	-	-	-	
152 *	Hooded Square Pot with Birdguard	875	250 sq	315 sq	210	430	90	225	140	360	
		875	300 sq	370 sq	250	350	100	275	140	400	



\*see notes on pages 26 and 27 regarding limited application.

# Suitability and Application Notes

## Chimney Pots & Flue Terminals

The design profile and outlet dimensions of the chimney pot or flue terminal should preferably equate to the shape and cross sectional area of the flue lining.

Minimum recommended dimensions are dependent on the size of the fireplace opening, size of the flue lining or appliance outlet, type of fuel and/or appliance.

### Chimney Pots and Flue Terminals suitable for use with Solid Fuel Open Fires and Closed Appliances.

Fireplace with an opening of up to 500mm x 550mm: minimum 200mm diameter or equivalent square/rectangular cross sectional area with no dimension less than 175mm.

Fireplace with an opening in excess of 500mm x 550mm: flue and terminal outlet equivalent to 15% of the area of the fireplace opening with no dimension less than 200mm.

Closed Appliance up to 20kW rated output: minimum 125mm diameter or equivalent square/rectangular cross sectional area, with

no dimension less than 100mm on straight flues or 125mm on flue with bends or offsets. Closed Appliance up to 30kW rated output minimum 150mm diameter or rectangular/ square cross sectional area with no dimension less than 125mm.

### Chimney Pots and Flue Terminals suitable for use with natural draft open-flued Gas Burning Appliances.

Flue sizes up to 170mm diameter should be fitted with an approved gas terminal complying with BS 715:1993 and BS 1289-1:1986 as shown on pages 23 and 24. Flue sizes in excess of 170mm diameter may be fitted with suitable terminals to prevent ingress if the total free area of the outlets is at least twice the cross-sectional area of the flue.

### Chimney Pots and Flue Terminals suitable for use with Oil Burning Appliances

Minimum dimensions should be the same size or equivalent to the cross-sectional area of the appliance flue outlet. Suitable terminals

may be used to prevent ingress if the total free area of the outlets is at least twice the cross-sectional area of the flue.

### Note:

The majority of chimney pots and flue terminals included on pages 4 - 21 are suitable for use with solid fuel open fires and appliances dependent on the cross-sectional area of the outlet.

Some traditional patterns may not meet all current requirements but have time proven performance characteristics.

Owing to the diversity in design and varied application the notes provided on limited and suitable application are for guidance only. Specifiers and installers must ensure that all products are suitable for the intended application and meet all appropriate regulations and installations requirements.

If further assistance is required please contact Red Bank's Technical Services Department.

page	list no.	description/size	limited application	suitable application
5	121-185	185mm dia. top	Traditional pattern has been used extensively with solid fuel open fires, internal top dimension does not meet current recommendations	May be used with solid fuel closed appliances, gas and oil fired appliances dependent on the size of the flue and area of the flue outlet
	150	Blanked Roll Top	Not suitable for use with any live flue, does not provide ventilation.	Suitable for dummy/prefabricated chimneys and blanking off only.
6	175	150mm int. dia. top	Not suitable for use with solid fuel open fires or gas appliances	May be used with solid fuel closed or oil fired appliances dependent on the size of the flue and area of flue outlet
	176	150mm int. dia. top		
	178	150mm int. dia. top		
7	36	175mm int. dia. top	Not suitable for use with solid fuel open fires	May be used with solid fuel closed appliances gas and oil fired appliances dependent on the size of the flue and area of the flue outlet
	39	150mm int. dia. top	Not suitable for use with solid fuel open fires and gas appliances	May be used with solid fuel closed appliances and oil fired appliances dependent the size of the flue and area of the flue outlet
	53	With fixed hood	Not suitable for use with any live flue	For ventilation only
	81	180mm int. dia. top	Traditional pattern has been used extensively with solid fuel open fires, internal top dimension does not meet current recommendations	May be used with solid fuel closed appliances, gas and oil fired appliances dependent on the size of the flue and area of the flue outlet
8	69	160mm int. sq. top	Not suitable for use with solid fuel open fires or gas appliances	May be used with solid fuel closed and oil fired appliances dependent on the size of the flue and area of the flue outlet
10	5	100mm int. dia. spigot	Not suitable for use with solid fuel open fires or closed appliances or gas fired appliances	May be used with oil fired appliances dependent on the size of the flue and area of the flue outlet
	5	125mm int. dia. spigot	Not suitable for use with solid fuel open fires and gas appliances and some solid fuel closed appliances	May be used with some solid fuel closed and oil fired appliances dependent on the size of the flue and area of the flue outlet
	5	145mm int. dia. spigot		
	5	170mm int. dia. spigot		
12 13	Capped Louvre Capped Louvre Insert	Not suitable for use with solid fuel open fires or closed appliances or gas appliances	May be used with some oil fired appliances dependent on the size of the flue and area of the flue outlet	
11	74	Hooded Louvre Top	Not suitable for use with any live flue	For ventilation only
	106	165 x 225mm int. rectangular top	Traditional pattern has been used extensively with solid fuel open fires, minimum internal top dimension less than 175mm but total cross section area of outlets in excess of equivalent 200mm int. dia.	May be used with solid fuel closed appliances and oil fired appliances dependent on the size of the flue and area of the flue outlet
	107			
	108			
109				
12	29	Cowl Top	Not suitable for use with solid fuel open fires or gas appliances	May be used with solid fuel closed and oil fired appliances dependent on the size of the flue and area of the flue outlet
	58	150mm int. dia. top	Not suitable for solid fuel open fires or gas appliances	May be used with solid fuel closed appliances and oil fired appliances dependent on the size of the flue and area of the flue outlet
	60	175mm int. dia. top	Traditional pattern has been used extensively with solid fuel open fires, internal top dimension does not meet current recommendations but total cross section area of outlets in excess of equivalent 200mm int. dia.	May be used with solid fuel closed appliances and oil fired appliances dependent on the size of the flue and area of the flue outlet
	112	Venetian Cap	Not suitable for use with any live flue	For ventilation only

page	list no.	description/size	limited application	suitable application
13	6	185mm int. dia. barrel	Traditional pattern has been used extensively with solid fuel open fires, internal top dimension does not meet current recommendations	May be used with solid fuel closed appliances, gas and oil fired appliances dependent on the size of the flue and area of the flue outlet
	10	160mm int. dia. barrel	Not suitable for solid fuel open fires or gas appliances	May be used with solid fuel open fires and closed and oil fired appliances dependent on the size of the flue and area of the flue outlet
	59	185mm int. dia. outlet	Traditional pattern has been used extensively with solid fuel open fires, internal outlet dimension does not meet current recommendations	May be used with solid fuel closed appliances gas and oil fired appliances dependent on the size of the flue and area of the flue outlet
14	92	160 x 250mm int. rectangular top	Traditional pattern has been used extensively with solid fuel open fires, minimum internal top dimension less than 175mm but total cross sectional area of outlet in excess of equivalent 200mm int. dia.	May be used with solid fuel closed appliances and oil fired appliances dependent on the size of the flue and area of the flue outlet
17	91	175mm int. dia. top	Not suitable for solid fuel open fires	May be used with solid fuel closed appliances gas and oil fired appliances dependent on the size of the flue and area of the flue outlet
	94	Hooded Pot	Not suitable for use with live flue	For ventilation only
18	98	'H' Insert	Not suitable for solid fuel open fires or gas appliances	May be used with solid fuel closed appliances and oil fired appliances dependent on the size of the flue and area of the flue outlet
	122	'H' Pot 150mm tube		

## Inserts

page	list no.	description/size	limited application	suitable application
22	30 103 116 118 119	Hood Top Hood Top (Square Spigot) Weatherguard Top Mushroom Top Mushroom Top (Outside Fitting) Flue Ventilator	Not suitable for use with any live flue serving solid fuel open fire or closed appliance, gas or oil fired appliance	For ventilation only
	120 117	Flue Ventilator Blank Stopper	Not suitable for use with any live flue, does not provide ventilation	For blanking off only

## Gas Flue Terminals

page	list no.	description/size	limited application	suitable application
23	610 611 612 617 636	GC2 Base GC2 Top GC2 Insert GC2 Insert GC10 Clay Can	Not suitable for use with Decorative Fuel Effect gas fires and Inset Live Fuel Effect gas fires requiring minimum 175mm flue or solid fuel open fires and appliances	May be used with all types of approved gas fired appliances including standard radiant gas fires with flue outlets up to 125mm dia. outlet where flueway has been lined with 125mm int. dia flexible metal liner
	613	GC3 Insert	Not suitable for use with Decorative Fuel Effect gas fires and Inset Live Fuel Effect gas fires requiring minimum 175mm flue or solid fuel open fires and appliances	May be used with all types of approved gas fired appliances with flue outlet up to 150mm dia.
24	618 623 624 625	Bishop GC2 Stangas Insert Crowned GC5 Insert GC5 Insert	Not suitable for use with Decorative Fuel Effect gas fires and Inset Live Fuel Effect gas fires requiring minimum 175mm dia flue or solid fuel open fires and appliances	May be used with all types of approved gas fired appliances including standard radiant gas fires with flue outlets up to 125mm dia. outlet and some Inset Live Fuel Effect gas fires, classified by appliance manufacturer as suitable for use with Class 2 Flue Blocks
	534	GC9	Not suitable for use with solid fuel open fires or appliances	Suitable for use with Decorative Fuel Effect gas fires and Inset Live Fuel Effect gas fires requiring minimum 175mm int. dia. flue, maximum recommended flue size 200 x 200mm int. square or 225mm int. dia.
25	145 147	DFE Pot DFE Pot with Birdguard	Not suitable for use with Class 2 flue blocks or where gas flueway has been reduced to less than 175mm int. dia.	Suitable for use with Decorative Fuel Effect gas fires and Inset Live Fuel Effect gas fires requiring minimum 175mm int. dia. flue, maximum recommended flue size 225mm int. dia. or equivalent square section. May also be used with solid fuel open fires to help reduce rain penetration
	146 148	DFE Insert 215mm ext. dia. and 210mm ext. square spigot	Not suitable for use with Class 2 flue blocks or where gas flueway has been reduced to less than 175mm int. dia. Solid fuel open fires or where flue terminal is less than 225mm int. dia.	Suitable for use with Decorative Fuel Effect gas fires and Inset Live Fuel Effect gas fires requiring minimum 175mm int. dia. flue, maximum recommended flue size 225mm int. dia. or equivalent square section
	146 148	DFE Insert 235mm, 270mm ext. dia. and 235mm, 270mm ext. square spigot	Not suitable for use with Class 2 flue blocks or where gas flueway has been reduced to less than 175mm int. dia.	Suitable for use with Decorative Fuel effect gas fires requiring minimum 175mm int. dia. flue. May also be used with larger flue sizes dependent on the appliance manufactures recommendations, the internal/external dimension of the spigot and solid fuel open fires, dependent on the flue size, to help reduce rain penetration
	149	DFE Pot Circular Base with Birdguard	Not suitable for use with Class 2 flue blocks or where gas flueway has been reduced to less than 175mm int. dia.	Suitable for use with Decorative Fuel effect gas fires requiring minimum 175mm int. dia. flue. May also be used with larger flue sizes dependent on the appliance manufactures recommendations and solid fuel open fires, dependent on the flue size, to help reduce rain penetration
	151	DFE Pot Square Base with Birdguard		
152	Hooded Square Pot with Birdguard			

Quality Assured



Q5001

**Hanson Red Bank**

Atherstone Road, Measham  
Swadlincote, Derbyshire DE12 7EL  
Tel: 01530 270 333  
Fax: 01530 270 542

Email: [admin@redbankmfg.co.uk](mailto:admin@redbankmfg.co.uk)  
[www.hanson.biz/uk](http://www.hanson.biz/uk)