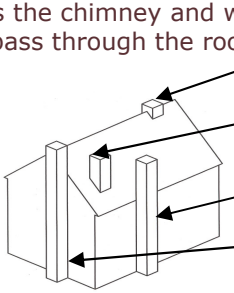


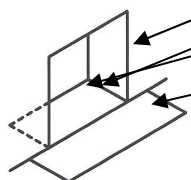
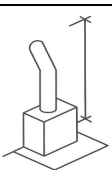
To help us work out your options or an estimate for a chimney relining system, we need to have the following basic information. You can print this questionnaire, fill out the details and then send us a copy or just call us. *We have included some tips and advice in italics.*

**TYPE OF CHIMNEY TO BE RELINED**

*Circle or write in the appropriate details*

What is it built of & how old is it?	Brick - stone - concrete blocks - ..... <i>If you do not know its age, give a rough guess.....</i>
What lining does it have?	None - clay liners - concrete liners - ..... <i>If there is a metal lining in place, what type of appliance was it used with? .....</i>
What is the shape and size of the flue? <i>This is important to work out what type &amp; size of liner can be fitted.</i>	Square - rectangular - round Flue size is .....
Where is the chimney and where does it pass through the roof? 	Inside the property & rising through the ridge or within 600mm (2 feet) of the ridge. Inside the property & rising through the roof down from the ridge. Built into, or on the outside, of the external wall & rising up through the bottom of the sloping roof. Built into, or on the outside, of the gable end. Does it rise in line or within 600mm of the ridge? ..... OR Does the chimney rise through a flat roof?.....
How many storeys in the property? What is the chimney length?	It's a Bungalow - 1, 2 or 3 storeys - ..... ..... <i>Measured from the hearth to the top of the chimney.</i>
If the stack has been removed, where does it stop in the roof space?	
What type of pot or terminal is on the chimney?	A round chimney pot - A louvered pot - a down draught cowl <i>If it is not one of these please describe it or send us a photo.</i>

**DETAILS OF THE HEATING APPLIANCE OR FIRE**

What is the make, model and output ? What fuels will be used? What flue size is specified for the appliance?	..... Wood - coal - smokeless fuel - oil - gas - ..... <i>(This is usually in the fitting instructions).</i>
If a stove is to be fitted in a fireplace opening or an open fire is proposed we need to know the actual dimensions of the fireplace opening. 	Height from hearth to top of opening ..... Depth of opening front to back..... Width, left to right ..... Projection of hearth in front of opening ..... Is there or will there be a wooden beam at the top of the opening?- Yes - No <i>If there is it may need to be removed or protected from heat.</i>
If a freestanding stove or boiler is being installed. 	What is the distance between the hearth and point where the flue pipe goes in the chimney? .....

Your name ..... Email.....

Address.....

Telephone..... Mobile..... Date sent.....

**Send completed form to Topstak Chimney Specialists Ltd.** Unit 42, Vale Business Park, Cowbridge, Vale of Glamorgan CF71 7PF Tel: 01446 771567 Fax: 01446 772882 Email: [info@topstak.co.uk](mailto:info@topstak.co.uk)