

Gathers - Made to order service

Application form - May 2010

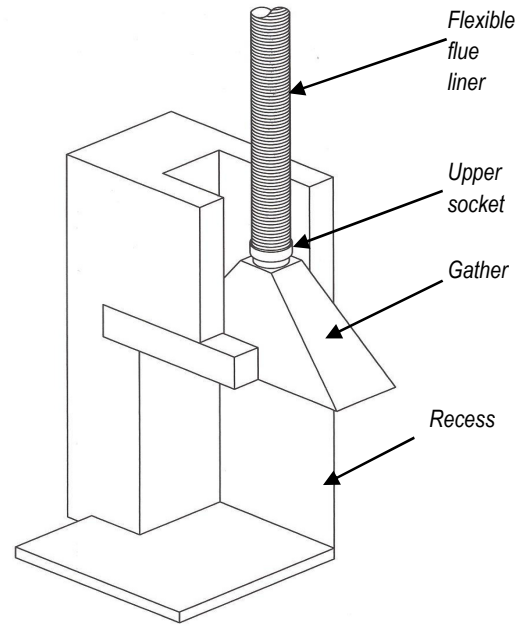
When relining a chimney above an open fire it is usually necessary to provide a suitable gather to collect and direct the products of combustion up into the flue.

Topstak offers a quick service for making gathers to your dimensions and specifications.

Specifications

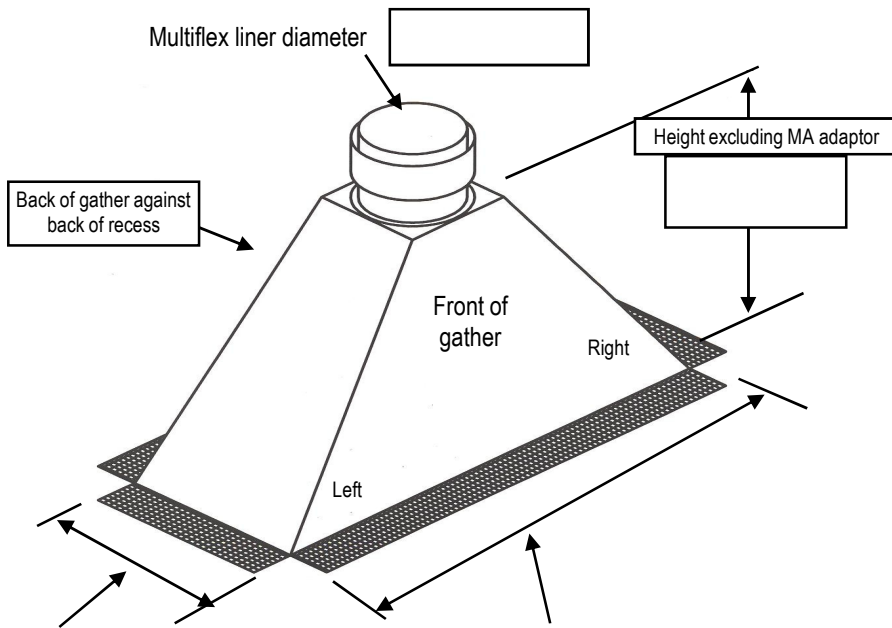
At present there is no British Standard Specification for gathers to be used with flexible flue liners. However, it is generally considered good practice to produce gathers in stainless steel with the angle of the gather being not more than 45 degrees from the vertical.

- Materials 0.9mm thick 316 stainless steel (usually for solid fuel)
 0.9mm thick 304 stainless steel (usually for gas)
- Upper socket We spot weld a standard *Multiflex* MA adaptor to the top of the gather, but other sizes can be made. MA adaptors for *Multiflex* liner diameters. 100, 125, 154, 180, 200, 230, 250 and 300mm.
- Mesh skirt Optional 50mm deep stainless steel mesh welded onto bottom of gather to assist fixing.



Please fill out details & dimensions in boxes, then send to Topstak to obtain quote.

Make sure the dimensions you give include a tolerance for installing the gather



Specification requests - State yes or no.

Material 316 stainless
 304 stainless

Skirt required

Special requests

Dimensions at sides

Left hand side

Right hand side

Dimensions Front and back

Front

Back

Reply to (name) _____ Tel. No. _____

Contact details _____

Topstak Chimney Specialists Ltd., Unit 42, Vale Business Park, Cowbridge, CF71 7PF Tel. 01446 771567 Fax. 01446 772882

ALL OFFERS & SUPPLIES MADE SOLELY ON THE TERMS OF OUR STANDARD CONDITIONS OF SALE. E&OE
 TOPSTAK has a policy of continual development & improvement & reserves the right to alter product specifications, details & prices without notice. © 2010