

GUARANTEE

Conditions of Guarantee

Your stove is guaranteed against defects arising from faulty manufacture for one year subject to the following express conditions. Failure to comply with these conditions will invalidate the guarantee.

- Your dealer or a suitably qualified engineer must install the stove. Upon installation the receipt must be kept as proof of purchase.
- The guarantee is one year from date of purchase.
- The guarantee does not cover parts deemed to be replaceable in the normal usage of the stove. These parts are: glass panels, rope seals, glass seals, bottom grate, ashpan, firebricks, baffle plate.

How to Proceed With a Complaint

Your ESSE Stove is guaranteed against defects rising from faulty manufacture for 1 year subject to the following conditions. Failure to comply with these conditions will invalidate the guarantee:

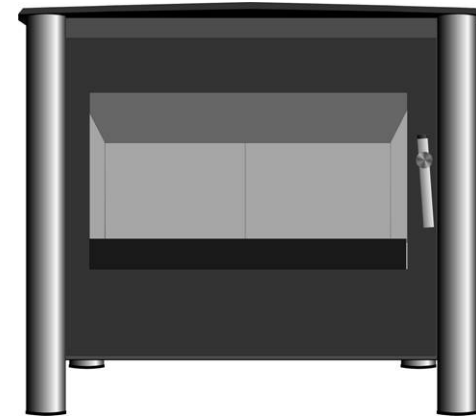
- The receipt must be kept as proof of purchase.
- Your ESSE stove must be installed by suitably qualified individual (HETAS Engineer or equivalent) and upon installation a Certificate of Compliance must be presented.
- The guarantee is 1 year from date of purchase.
- The guarantee does not cover parts that are deemed to be replaceable through normal usage of the stove. These include: glass panels, rope seals, bottom grate or firebars, ashpan, firebricks, cast iron liners, riddling lever, baffle plate, log guard.
- Only genuine ESSE spare parts should be used. Parts that may need occasional replacement are: firebricks, ashpan, fire grate log guard.

Should you require after sales service or should you need to purchase any spares, please contact the retailer from whom the appliance was purchased. Please do not return a faulty product to us in the first instance as this may result in loss or damage and delay in providing you with a satisfactory service. Please retain your receipt as proof of purchase.



MF125

MULTI-FUEL STOVE



INSTALLATION & USER INSTRUCTIONS
(TO BE LEFT WITH THE CUSTOMER)

UK & Ireland

CONTENTS

General Safety Notes	Page 2	Operating Instructions	Page 8
Chimney & Flue	Page 3	Wood Burning	Page 8
Flue Draught	Page 5	Solid Mineral Fuel Burning	Page 10
Installing the Stove	Page 5	Maintenance	Page 10
Dimensions and Clearances	Page 6	Guarantee	Page 12

GENERAL SAFETY NOTES



- Properly installed, operated and maintained, this appliance will not emit fumes into the dwelling. However occasional fumes from de-ashing and re-fuelling may occur. Persistent fume emission is potentially dangerous and must not be tolerated. If fume emission does persist, open doors and windows to ventilate the room. Let the fire burn out or eject and safely dispose of fuel from the appliance. Once the fire is cold, check the flue and chimney for blockages and clean if required. Do not attempt to relight the fire until the cause of the fume emission has been identified and corrected. Seek expert advice if necessary.
- Do not fit an extractor fan in the same room as the appliance.
- An adequate air supply for combustion and ventilation is required. As this stove does not exceed 5.0 kW nominal heat output (Refer to Building Regulations Document J) a purpose provided air vent is not normally required. However, in certain circumstances a purpose provided air vent may be necessary – for example, small or tightly sealed rooms. Air openings provided for this purpose must not be restricted.
- It is important that flue ways are cleaned frequently and the chimney swept regularly. Also the stove must be maintained in good mechanical order. Regular sweeping means at least once per year for smokeless fuel and a minimum of twice per year for other fuels.
- If the chimney was previously used for an open fire, it is possible that the higher flue gas temperatures generated by the stove may loosen deposits that were firmly adhering to the inner surface of the chimney and cause blockage of the fluepipe. We recommend that in such a situation a second sweeping of the chimney should be carried out within one month of regular use of the stove after installation. Also, lock or remove any existing dampers in the flueway.
- Should it be likely that children, aged or infirm people approach the fire, then a fireguard should be fitted.
- Avoid the use of aerosol sprays in the vicinity of the stove when it is in operation.
- This appliance must be installed as per these instructions and regulations complied with. No modifications or alterations of any kind are permitted.
-

INSTALLATION INSTRUCTIONS

The installer has a responsibility under the Health and Safety at Work Act 1974 to provide for the safety of persons carrying out the installation. Attention is drawn to the fact that fire cement is caustic and hands must be washed thoroughly after use. The appliance is heavy and care must be taken during handling. Although the appliance does not contain asbestos products, it is possible that asbestos may be disturbed in existing installations and every precaution must be taken.

These instructions give a guide for the installation of the appliance but in no way absolves the installer from responsibilities to confirm to British Standards, in particular **BS8303** and **BS6461**, relating to the installation of solid fuel appliances. All local regulations, including those referring to National and European standards need to be complied with when installing the appliance.

CHIMNEY & FLUE

This successful operation of these appliances relies on the adequate performance of the chimney to which it is connected. The chimney must:

- Have an internal cross section of no less than 320cm² (200mm dia). If a flue liner is used it should be 5" diameter (125mm) and suitable for solid fuel.
- Be a minimum 4.6m high from hearth level to pot.
- Be terminated at least 1m above roof level so that the chimney does not terminate in a pressure zone (see Fig.2).
- Be free from cracks, severe bends, voids and obstructions.
- Be connected to this one appliance only.
- New chimneys must be built accordance with local Building Regulations.
- New chimneys must be tested in accordance with HETAS requirements.
- If this stove is installed as a freestanding appliance, it should not support any part of the chimney.
- Voids in the chimney should be avoided, as these will prevent a steady flue draught.
- The stove flue pipe should pass beyond the narrowing of the chimney (see Fig. 1).
- Consideration should be given to falling soot. For rear outlet stoves it may be necessary to provide a soot catchment area in the flue pipe so that soot does not settle in the path of the flue gases. The optional rear flue box attachment available from ESSE has a detachable base that allows for fallen soot to be removed (See Fig.1).
- A flue/chimney access point may also be required so that the state of the chimney can be checked and any fallen soot removed.
- External flues must be insulated to prevent heat loss.,

Fig. 1 – Ideal Flue Connections.

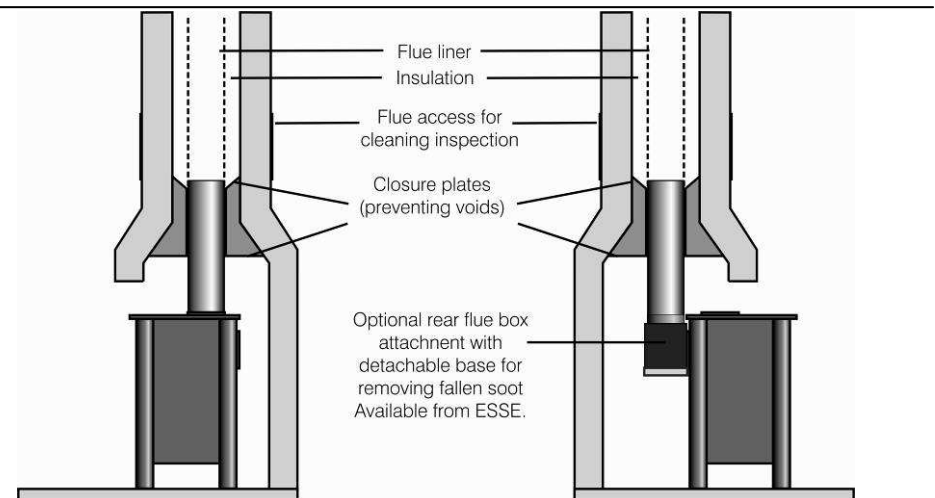
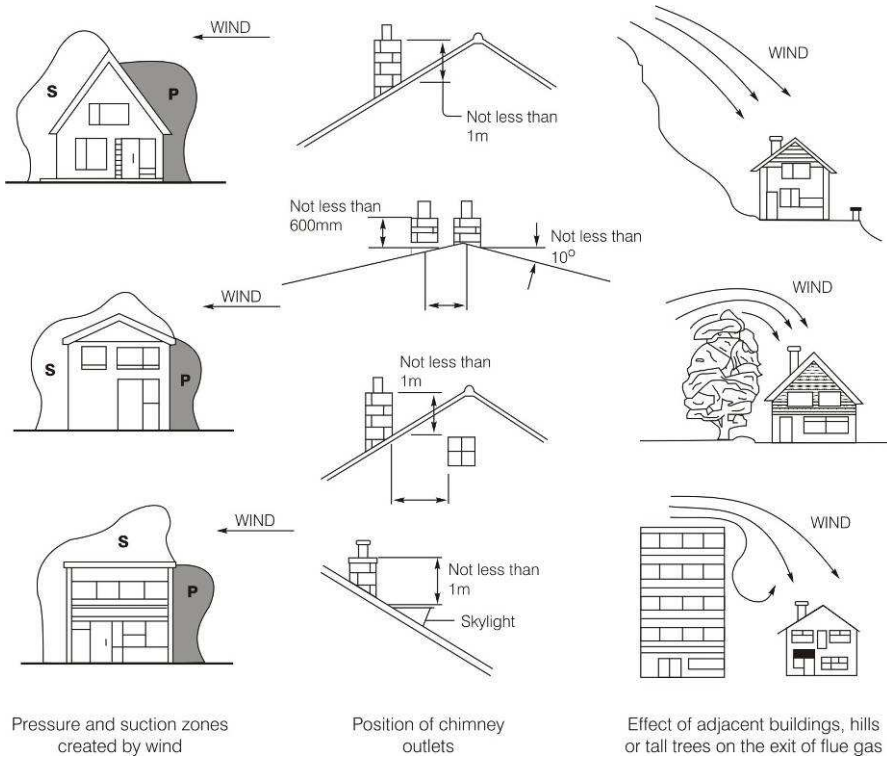


Fig.2 – Chimney and Flue Performance



FLUE DRAUGHT

The chimney can be checked, before the stove is installed, with a smoke match. If the chimney doesn't pull the smoke it may suggest the chimney needs attention (see the Flue Diagnosis Table, below).

Measurements

The flue draught test hole must be drilled in the flue pipe as close to the stove as possible and before any flue draught stabiliser.



NOTE

This test is only a guide as an apparently poor flue may improve once the stove is installed, lit and the flue is warmed. If, once the stove is installed, there is any doubt that the chimney is providing an adequate draught, reading can be taken with the stove lit. Two flue draught readings should be taken, one with the stove at minimum rate and one at maximum rate.

Minimum

The stove should be lit and allowed to warm the flue thoroughly. The air controls can then be set so that the stove burns on a low setting. Allow the burning rate to become steady. The flue draught reading should now be taken with the primary air intake closed and the airwash control fully open.

Maximum

The primary air intake can now be opened to allow the stove to burn at maximum rate. Give the stove some time for the burning rate to become steady and then close the primary air intake, make sure the airwash control is fully open and take a flue draught reading immediately.

Ideally, the flue draught reading should range between 1mm wg (10 Pa) and 2.5mm wg (25 Pa). Any readings significantly outside this range may indicate the need for remedial action.

Low flue draught symptoms: difficult to light and smoke coming into the room.

CAUSE	REMEDY
Cold chimney	Line the chimney
Chimney too short	Extend the chimney
Down draught	Relocate/extend chimney terminal. Fit an anti down draught cowl
Chimney diameter too large	Line the chimney
Chimney obstruction	Clear/sweep the chimney
Restricted air supply	Check for competing draughts (other chimneys, extractor hoods/fans). Fit an air vent if the room is sealed.

High flue draught symptoms: fire difficult to control, fuel will not last, stove too hot, stove damage, chimney fire.

CAUSE	REMEDY
External wind conditions combined with chimney terminal	Fit stabiliser cowl. Fit flue draught stabiliser.

FLUE STABILISER

A flue stabiliser can be fitted to reduce the draught through the stove if the flue draught is too high. The flue stabiliser should be:

- Fitted in the same room as the stove
- The same size as the flue pipe
- Fitted no closer than 700mm to the flue outlet of the appliance.

INSTALLING THE STOVE

Secure the 4 legs to the underside of the base of the stove with the 4 bolts supplied (Fig.4).

Positioning

The overall dimensions of the stove are shown in Fig. 3. The table above indicates recommended distances between the stove and surrounding combustible materials. As a rule, any surrounding combustible material should not exceed 80 °C. There should be sufficient space around the stove for service work.

Hearth

The construction of the hearth must conform to Building Regulations, must be firm, non-combustible and capable of supporting the stove. (Refer to Building Regulations Document J).

Flue Connection

The flue pipe used to connect the stove to the chimney is 5" (125mm) in diameter. The stove is supplied ready for top flue connection. To change to rear connection the flue blanking plug supplied with the stove is used to block the top flue outlet. The blanking plug in the rear flue connection must then be removed (to access the bolts attaching the rear flue connection the convector panel must first be removed) – see Fig.4. A rear flue box attachment is also available from ESSE that allows the stove to be installed further out of any building recess. Fig.1 shows suitable flue connections.

Important Installation Notes

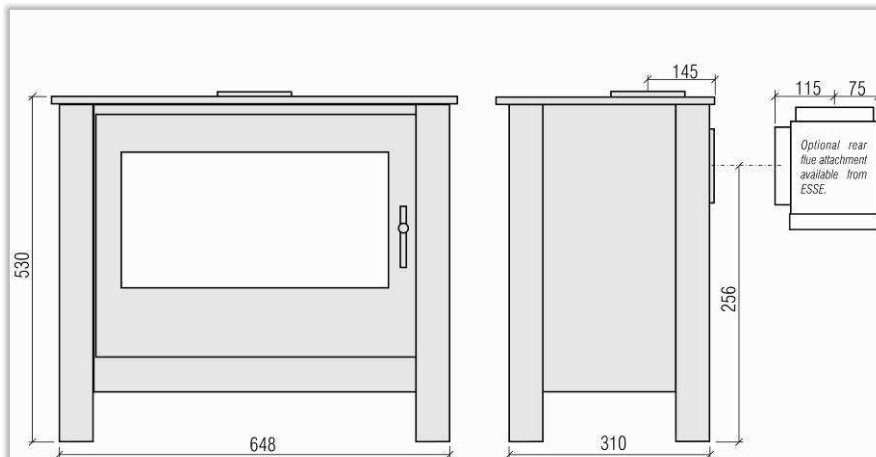
1. The installation must allow for adequate chimney sweeping.
2. Avoid using bends greater than 45 °C to the vertical. All flue pipe sections should be as close to vertical as possible.
3. All joints in the flue system must be effectively sealed.
4. All flue sockets must face upwards.
5. Check the appliance for sound of seals between castings and main components and that all supplied parts and fitting are correctly fitted.

On completing the installation, check that all the internal components of the stove are positioned correctly.

Check – ashpan, iron grate, baffle, side and back bricks.

DIMENSIONS & CLEARANCES

Fig. 3 – Stove Dimensions



CLEARANCES	LHS	RHS	BACK	TOP	FRONT
NON-COMBUSTIBLES	150**	150**	-	200**	-
COMBUSTIBLES	600	600	600	450	305

NOTE
All dimensions are in millimetres

** Please note that these are only suggested clearances

Fig. 4 – Arranging the Flue Outlet Blanking Plug for Top or Rear Outlet

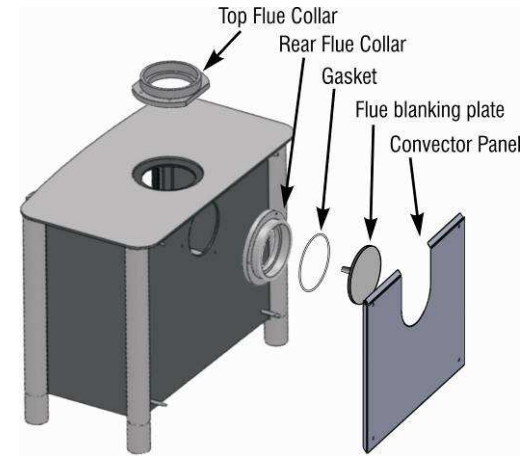


Fig. 5 – Operating Your Stove

Airwash control (secondary air)
Slide left to decrease air flow (close)
Slide right to increase air flow (open)

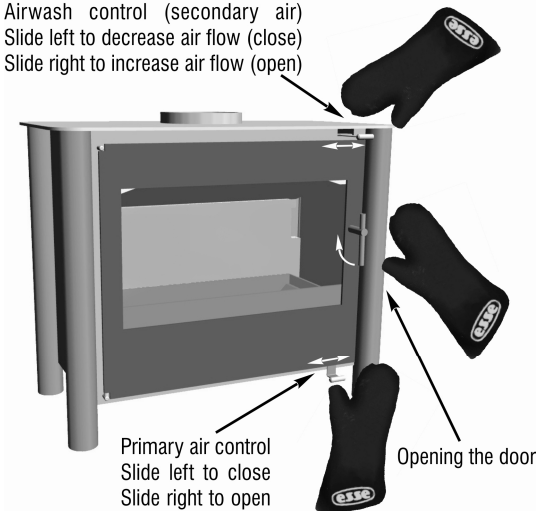
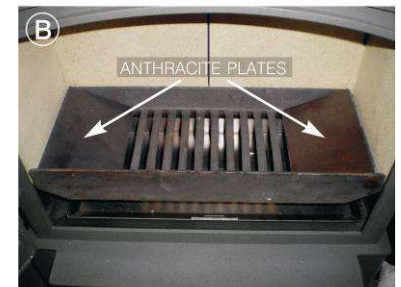


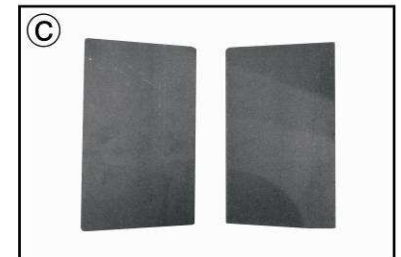
Fig. 6 – Anthracite Plates



Grate set for woodburning



Grate set for anthracite burning with plates fitted to channel fuel correctly



Set of anthracite plates



NOTE

As the handles become hot in use it is recommended that you use the stove mitt supplied.

OPERATING INSTRUCTIONS

Your Stove

Fig. 5 shows stove and its controls.

Additional loose parts supplied inside your stove include:

- A stove mitt – for removing the ash pan, adjusting the primary air controls, adjusting the airwash control, and operating the door handle. Fig.5 shows how the stove mitt is used.
- A flue blanking plug to blank the top flue outlet if the rear flue outlet is to be used.



WARNING

Parts of the appliance, especially the external surfaces, will be hot to touch when in operation and due care will need to be taken.

WOOD BURNING

Lighting & Controlling the Stove

Before lighting the fire for the first time ensure that the baffle, side and back bricks and all the internal components are in position. Burning without either will result in the stove overheating and being damaged.

Open the air wash control and the primary air control fully. Place some tightly rolled paper on top of some crumpled paper on the base towards the back of the stove. On top of this, place some small pieces of wood. Light the crumpled paper and close the door. Once the fire becomes established add some larger pieces of wood. As the stove comes up to temperature close the primary air control using the stove mitt as shown in Fig.5. The burning rate of the stove can now be regulated by the rate at which fuel is added and by adjusting the air wash control.

With the above in mind it is plain to see that the stove should ideally be run with the primary air inlet closed and the air wash control open whenever possible. Another advantage of running the stove with the air wash open is that the air being drawn into the stove travels across the glass forming an air barrier between the glass and the fire bed helping to prevent smoke particles sticking to the glass.

If the fire dies down too low, opening the primary air control for a short period will revive it. When reviving a low fire it is important to also use kindling before adding larger logs to help prevent smoke.



NOTE

Wood burns most efficiently when the air for combustion is supplied from above the fire bed rather than below. The air supplied above the fire bed provides the oxygen necessary for the volatile gases (smoke), given off by the wood as it heats to combust. This ensures that the gases are burnt and used to heat the stove instead of being wasted up the chimney or condensing and forming tarry deposits inside the stove, in the flue or on the stove glass. Running the stove with the primary air control open and the air wash control closed will provide oxygen for the wood to burn on the fire bed but will not provide air for the volatile gases above the fire bed to combust resulting in a smoky inefficient fire.

Ash Removal

Only remove small amounts of ash from the firebox. When de-ashing, leave 30-40mm depth of ash in the bottom of the firebox for the best performance. Always use the stove mitt to open and close the door.

Correct Running Temperature for Burning

To get the best results from your stove it is recommended that a wood stove thermometer (available from your stove dealer) be fitted to the flue pipe above the stove, at eye level if possible. The figures below show the recommended temperature of the flue gases:

115°C – 245°C (240°F - 475°F)

The flue gases should be in this temperature band for the safest, most efficient and most economical operation of your stove.

Below 115°C

This is below the condensation point of wood gases and may cause the build up of tar in the chimney, dirty the stove glass and result in the inefficient burning of fuel.

Above 245°C

Too hot. Heat will be wasted up the chimney. Excess heat may damage the stove or ignite any existing accumulation of tar resulting in a chimney fire.

Extended Burning

Loading a large amount of wood into the stove all at once will reduce the temperature inside the stove. If the temperature is too low, the gases given off from the wood will be too low to combust resulting in a lot of smoke covering the inside of the stove, including the glass, with soot. To combat this problem it is a good idea to increase the temperature of the stove before loading by further opening the air inlets. Load the wood and leave the air controls open until the moisture is driven out of the wood and the stove is back up to an efficient operating temperature. The air inlets can then be reduced to hold the temperature of the stove. Loading the stove little and often will help keep the stove temperature steady. When loading wood, make sure that the end grain of the wood in the stove is pointing away from the glass, otherwise the moisture and gases coming from the end grain of the wood will dirty the glass.

Types of Wood Fuel

For best results use well seasoned hardwood such as Oak, Ash, or Beech. Allow wood to dry out under cover in well-ventilated conditions for at least twelve months. As a rough guide wood is ready for burning when radial cracks appear in the end of the logs. Properly dry wood means it should have a moisture content of between 15%–20% which can only be accurately measured using a moisture meter. Burning wood that is not seasoned will result in tar being deposited in the stove, on the glass and in the flueways. This build up of tar is a hazard and if it ignites may cause a chimney fire. Resinous softwood burns well and gives a high output for short periods but is not as efficient and does not last as long as hardwood.



NOTE

The above text should be used as a guide only. The ideal operation of your stove depends on a number of factors, which vary with each installation, and so gaining experience operating your stove is the only way to learn its best operation.

Peat

Peat is a fuel conveniently available in some areas and should be burned in the same manner as wood.

SOLID MINERAL FUEL BURNING

Fit the two solid fuel burning plates to each side of the fuel grate as shown in Fig. 6.

Lighting & Controlling the Fire

Before lighting the fire for the first time ensure that the baffle, and the side and back bricks are in position. Burning without either will result in the stove castings overheating and being damaged.

Open the air wash control and the primary air control fully. Place some tightly rolled paper on top of some crumpled paper on the base towards the back of the stove. On top of this, place some small pieces of wood and on top of that a few small pieces of mineral fuel. Light the crumpled paper and close the door. Once the fire becomes established and the fuel is burning, more fuel can be added. When the stove is hot and the fuel is no longer producing smoke, the air wash control can be reduced. The burning rate of the fire can be added. The burning rate of the fire can now be controlled with the primary air control using the stove mitt as shown in Fig. 5. As air from the primary air control flows up through the grate it will cool the grate bars preventing them from overheating and becoming damaged. Reducing the primary air control air inlet and introducing air only from the air wash will allow the fuel to burn but the grate will not be cooled resulting in damage to the grate bars. When controlling the fire, the primary air control should be altered gradually. Reducing the primary air dramatically and all at once on a hot stove will cause the fuel to clinker and will result in a build up of gases and smoke which could ignite with a bang the moment air is reintroduced.

Extended Burning

Before adding a large amount of fuel, the grate should be de-ashed and the ash pan emptied. Add the fuel sloping in from the front coal bar up to the back of the stove to the level of the top of the back brick. Open the primary air inlet and let the fire burn for a period on high rate in order to get the stove back up to temperature and drive off the moisture and gases in the fuel. If a lot of smoke is produced on reloading, the airwash control can be opened further to keep the smoke back from the glass. As the fire gets back up to temperature, reduce the airwash control and reduce the primary air inlet to suit the burning rate. The exact setting of the air controls depends on a number of variables including: the flue draught, the fuel used and the installation and so the best settings for your stove can only be learned by experience.

Ash Removal

The level of ash should not be allowed to build up to the level of the grate. If the level of ash becomes too high the air through the grate will become restricted causing the grate bars to overheat and preventing the fuel from burning efficiently.

Grate Bars

The grate bars in the centre of the stove will wear ore quickly than the ones at the edges. To ensure even wear, swap the positions of the grate bars occasionally.

Mineral Fuels

Ordinary bituminous house coal is not recommended and must not be burned in smoke control areas. Burning bituminous house coal will result in a sooty stove and chimney, and the stove glass will require cleaning regularly. There are numerous natural anthracites and manufactured smokeless that will burn cleanly and have more reliable burning characteristics. A list of these fuels and their suitability is produced by HETAS (www.hetas.co.uk). Consult your local fuel merchant to find out what is available in your area. Petro-coke should not be used as it burns very hot and may damage the stove castings.



WARNING

Your stove should not be used as an incinerator and only recommended fuels shall be used.

MAINTENANCE

Cleaning the Stove

The stove should only be cleaned when it is cold. The exterior can be dusted with a firm brush. Do not use a cloth, as this will drag on the paint finish leaving lint on the surface. From time to time it may be necessary to renovate the exterior by repainting. High temperature stove paints in aerosol form are available from your stove dealer. Do not use this form of paint until the stove is cold and always read the instructions on the container before starting to paint. The door glass is made of a special heat resisting ceramic and may be cleaned when cold with proprietary glass cleaning liquids and a dry cloth.

Shutting Down the Stove (Long Term)

The following procedure should be followed if the stove is not to be used for a long period, summertime for instance. Remove all the ashes from the grate and ash pan and use a vacuum cleaner nozzle to clean ash from the base of the stove. Remove the baffle plate and brush the flue ways. Close the door and open the air inlets fully. This action will allow air circulation through the flue ways and help to avoid corrosion and condensation.

Servicing

Regular maintenance should be carried out by a competent engineer.

TECHNICAL INFORMATION

Normal heat output – wood	5.0 kW
Normal heat output – solid mineral fuel	4.5 kW
Weight of stove	83.6 kg
Minimum chimney draught	10 Pa
Mean flue gas temperature – wood	244 °C
Mean flue gas temperature – solid mineral fuel	235 °C
Flue gas mass flow – wood	3.1 g/s
Flue gas mass flow – solid mineral fuel	3.6 g/s

This appliance is not suitable for installation in a shared flue system.

Topstak

Esse Woodburning and Multifuel stoves
supplied by Topstak

www.topstak.co.uk/stoves/stoves-by-brand/esse-stoves/

We have an unrivalled range of chimneys, stoves, bespoke kitchens, flooring and handcrafted furniture manufactured to the highest quality.

Cowbridge Showroom

Unit 42, Vale Business Park

Llandow

Cowbridge

CF71 7PF

01446 771567

info@topstak.co.uk

Monmouth Showroom

Mayhill Industrial Estate

Staunton Road

Monmouth

NP25 3LX

01600 711710

info@topstak.co.uk