

SE	Eldningsinstruktion	2
DE	Heizinstruktionen	9
NO	Fyringsinstruksjon	16
FR	Instructions d'allumage	23
DK	Fyringsvejledning	30
FI	Lämmitysohjeet	37
IT	Istruzioni per l'accensione	44
NL	Stookinstructies	51
GB	Lighting Instructions	58

Lighting Instructions



C800 Style

Contura

Lighting in the right way

Your Contura fireplace is designed to provide secondary heating in your home. It is important that the correct amount of wood is used, especially when lighting. If you are lighting the fire for the first time, you should use a set of scales to see how much 1,7 kg kindling is. Also check what the normal and maximum weights look like.

The fireplace may only be lit with the door closed.

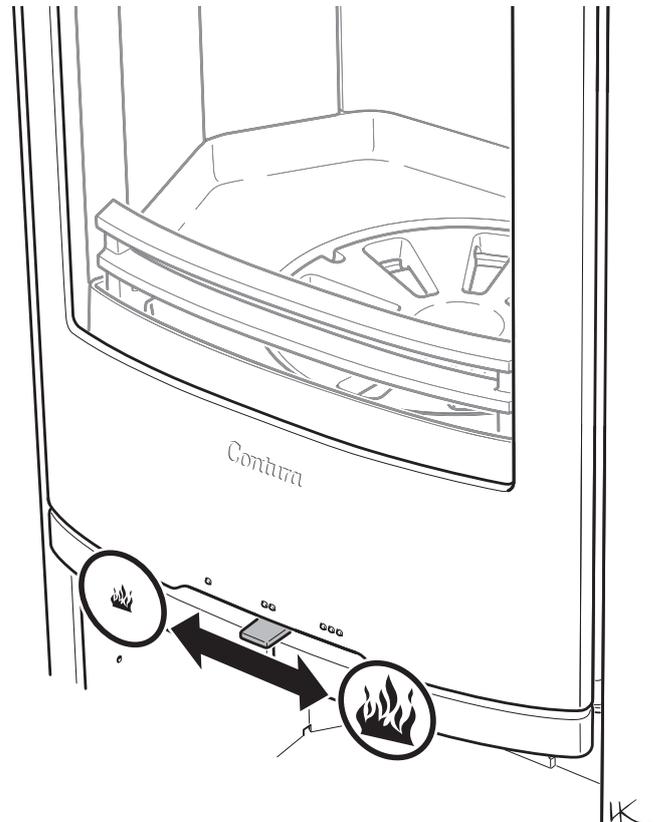
Always open the door carefully and slowly to prevent blow back because of the changing pressure in the firebox.

Combustion is affected by the draft in the chimney and the quality of the wood. Achieving the correct setting for the combustion air damper, suitable size and amount of wood usually takes a few attempts.



The damper

- The damper is opened by moving the control to the right.
- Close the damper when the fireplace is not in use to prevent the room air flowing out and condensation building up in the chimney.
- Never close the damper before the embers have burnt out.



Lighting the fire

Note that if too little kindling is used when lighting, or if the wood is too thickly cut, the firebox will not reach the correct operating temperature. Incorrect lighting can lead to poor combustion with heavy sooting and may result in the fire going out when the door is shut.

If the fireplace is connected to outdoor air, it may be necessary to open a window near to the fireplace prior to lighting. Leave the window open for a few minutes until the fire has caught properly.

Kindling:

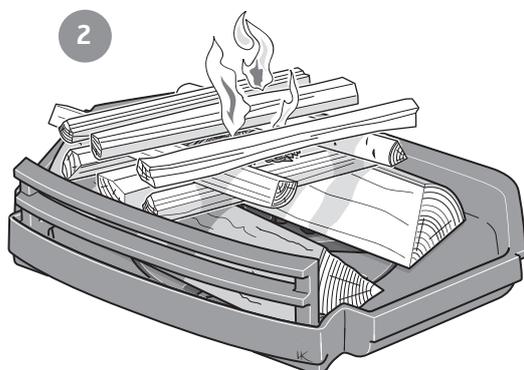
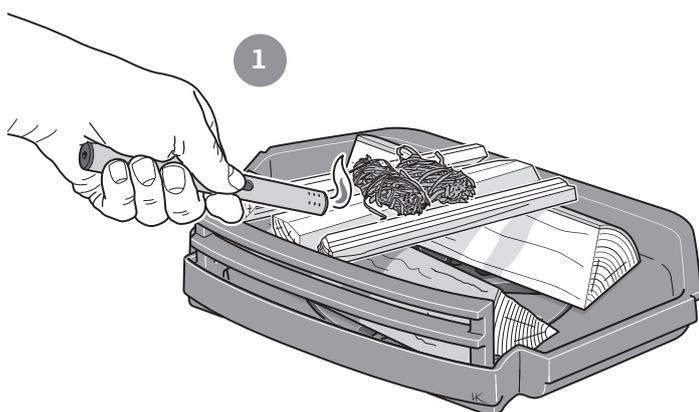
Finely chopped wood

Length: 25-33 cm

Diameter: 2-5 cm

Amount per firing: 1,7 kg

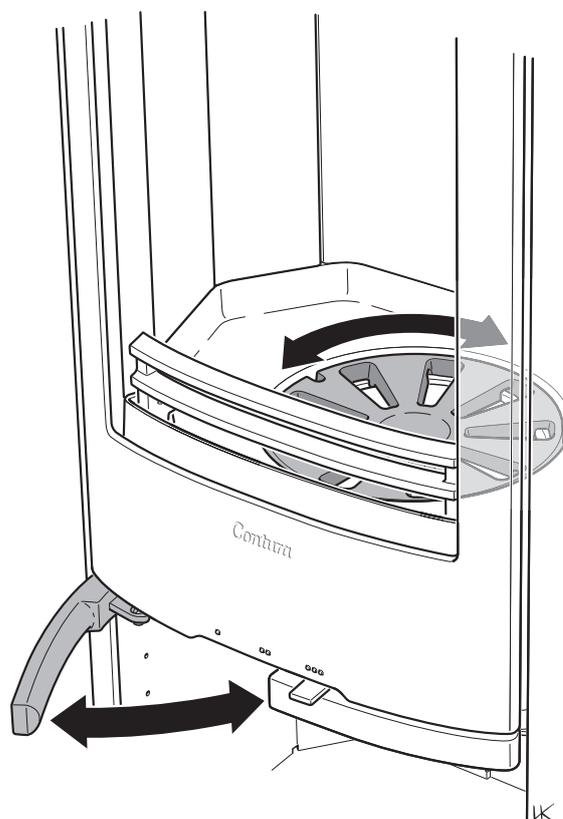
(approx. 10-12 finely chopped logs)



NOTE:

The left handle that controls the grate disc and booster must be closed when lighting the fire.

1. Pull the left handle (grate handle) out and turn the grate disc back and forth a few times. This clears the incoming air ducts.
2. Close the grate handle.
3. Open the control for the combustion air fully.
4. Place about 1,7 kg of kindling in the fireplace with the largest logs at the bottom and a firelighter between the smaller sticks on top, as illustrated.
5. Light the fire.
6. Close the door.
7. The automatic damper supplies air from below while the fire is getting started. The damper closes when the kindling has burned down.
8. Add more logs just before the start-up fire turns into glowing embers.



Adding logs

1. Open the door a few centimetres and allow the vacuum in the firebox to equalise for a few seconds before opening the door fully.
2. Add 2 logs weighing about 1,1-1,3 kg together. Place one log diagonally across the other as illustrated.
3. Close the door.
4. The combustion air damper should be completely open until the logs are burning vigorously. If slower combustion is then required, the supply of combustion air can be reduced. The conditions for controlling combustion vary depending on the temperature in the firebox and the draft in the chimney.
5. An average output of 5 kW is achieved when the combustion air damper is about 40% open and two logs with a combined weight of 1.1-1.3 kg are added every 45 minutes.
6. The lowest heat output of 3-4 kW is achieved when the combustion air damper is open about 30%. In this operating mode, it is very important that the combustion air damper is fully open for the first 3-5 minutes so the wood has time to ignite properly before the supply of combustion air is reduced. A thick bed of embers and a high firebox temperature are required to be able to control the heat output.

Using the booster when adding logs

If the embers have died down and the firebox temperature is too low, it can be difficult to get logs to start burning. When this happens:

1. Open the door a few centimetres and allow the vacuum in the firebox to equalise for a few seconds before opening the door fully.
2. Add 2 logs weighing about 1,1-1,3 kg together. Place one log diagonally across the other as illustrated.
3. Close the door.
4. The combustion air damper must be fully open.
5. Pull the grate handle all the way out. This supplies air from below and the logs catch fire more easily.
6. Close the grate handle as soon as the fire is burning.
7. NOTE: If the grate handle remains open all the time, the logs will burn too quickly and this may damage the stove.
8. Adjust the combustion air damper to the required setting.

IMPORTANT!

It is important that the wood catches fire quickly. Quick lighting is achieved by opening the combustion air damper fully for a moment. Smoulder combustion produces a lot of smoke and, in the worst instance, can cause quick gas ignition resulting in firebox damage.

Feeding wood:

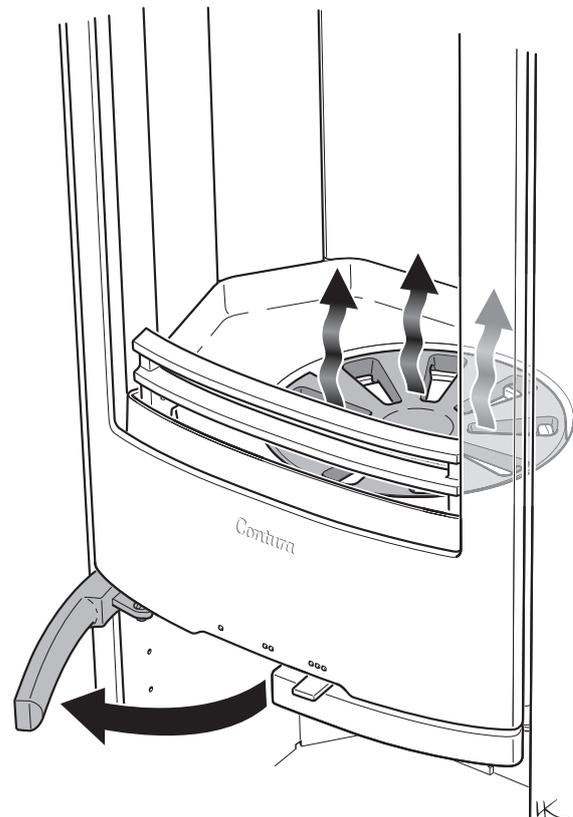
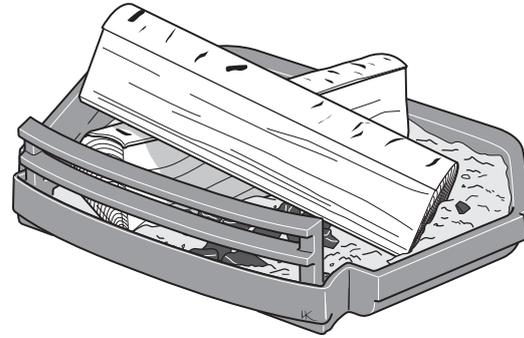
Chopped wood

Length: 25-33 cm

Diameter: 7-9 cm

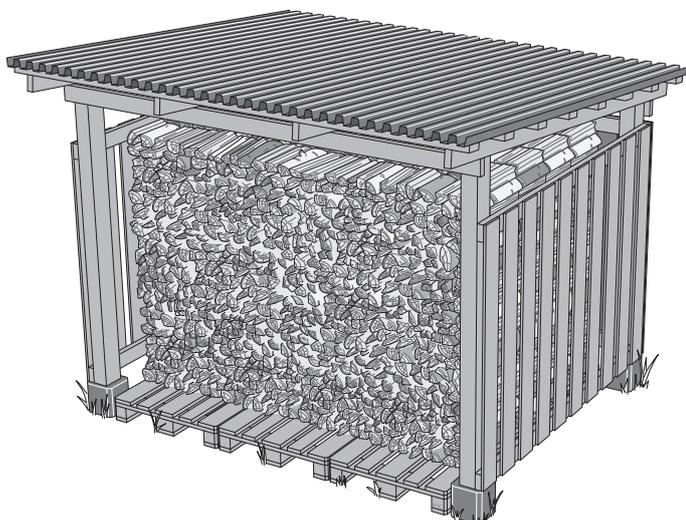
Normal amount: 1,3 kg/hour (2 logs)

Max. amount: 2.0 kg/hour (max. 3 logs at a time.)



Choosing fuel

All types of wood, such as birch, beech, oak, elm, ash, conifers and fruit trees can be used as fuel in the fireplace. Different types of trees have different densities; the greater the density of the wood, the greater the energy value. Oak, beech and birch have the highest density.



The wood's moisture content

Fresh wood is about 50 per cent water. The wood must always be dried so that the moisture content is below 20%. If wood with a higher moisture content is lit, a large part of the energy content of the wood is used for boiling off the water. If the wood is damp, the combustion is also poor, layers of soot and tar build up in the chimney and could, at worst, lead to a chimney fire. In addition, it causes the glass of the stove to soot and may cause discomfort to those living nearby.

To ensure thoroughly dry wood, the wood should be cut in the winter and stored, well aired, under a roof. Never cover the woodpile with a tarpaulin to the ground. The tarpaulin will then act as a sealed cover and the wood will be prevented from drying. Always keep some logs indoors for a few days to allow any moisture on them to evaporate before use.



Do NOT burn the following

Under no circumstances may fossil fuels, pressure impregnated wood, painted or glued wood, chipboard, plastic or colour brochures be used as fuel. All these materials can create substances that are damaging both to the environment and the fireplace. Extremely finely chopped wood should also be avoided, except for kindling, as it burns out of control. Fuel of this type can easily cause a flashover resulting in temperatures that are too high.

Candles

Do not use old candle stubs as fuel. Melted wax runs down into the stove's damper system and makes the stove unusable. This is very expensive to repair.

Lighting for the first time

When new, the fireplace may emit a particular odour because the fireplace is new. This will disappear completely after the fireplace has been used a few times.

STOVE MAINTENANCE

The fireplace glass may become sooty even when using dry wood with a moisture content of 15 - 20%. Regular cleaning with damp paper is usually sufficient to keep it clean. If the soot has been on the glass for a long time dip the damp paper into the ashes and wipe clean. Ashes and water will remove the soot. Detergents and special soot removers/ fireplace glass cleaners are also available from supermarkets, DIY shops or your local stove dealer. Never use cleaning agents that contain abrasives or that have a corrosive effect on printed or painted glass. These may damage the glass/paintwork. Never use cleaning agents that contain sodium hydroxide. These have a corrosive effect on sealing strips.

When emptying the ash-pan, ensure that there are no glowing embers. The ash must be stored in a fireproof container with a lid for at least one week before being disposed of.

Also clean inside the area where the ash-pan is located, otherwise spilled ash can prevent the ash-pan from being fully inserted.

Use a wire brush to clean the grate and other cast-iron components in the firebox.

Gaskets should be inspected to ensure correct combustion. Worn gaskets reduce combustion efficiency because the stove draws additional air.

Painted parts of the stove can be cleaned using a damp cloth and, if necessary, some washing-up liquid. Scratches on painted surfaces can be repaired using Contura touch-up paint. Contact your dealer.

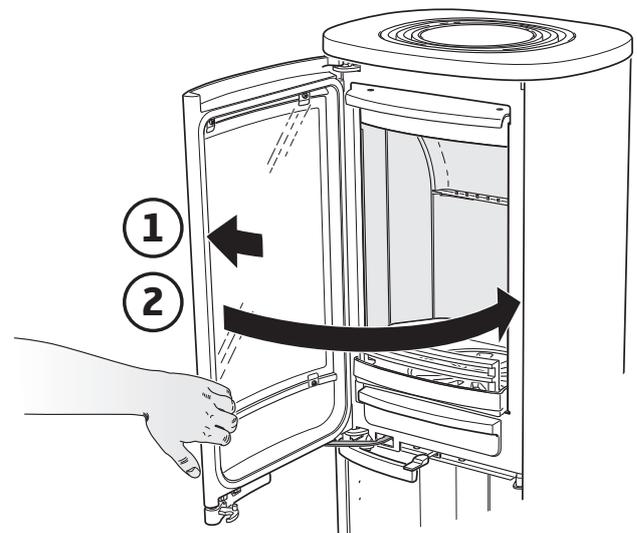
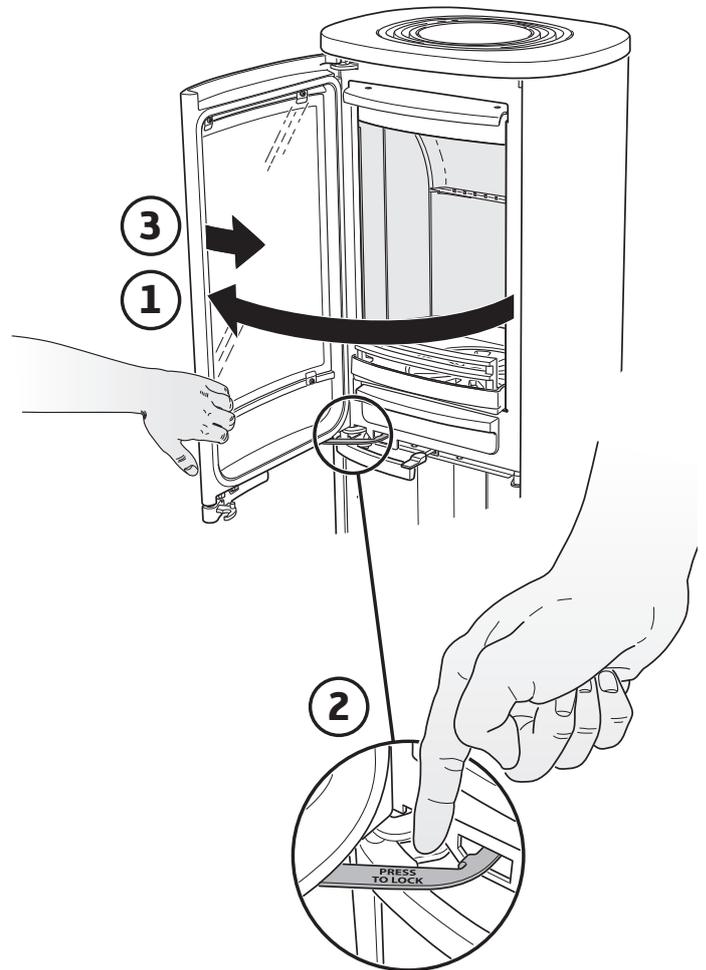
The constant flow of air through the stove, as cold air is drawn in from the room and hot air is released, can cause dust to collect behind and under the stove. These places should therefore be cleaned regularly.

Parts located near the actual seat of the fire may require replacing. The hearth cladding and grate are two such parts. The useful life of these parts depends on how, and how much, the stove has been used.

Only use spare parts recommended by Contura.

Door in open position, for cleaning/service

The door can be secured in the open position using the locking lever on the left side of the stove.



UK Smoke control areas

The Contura 800 Style series, 5 kW woodburning stoves listed below have been recommended as suitable for use in smoke control areas when burning wood logs and operated in accordance with these instructions and when fitted with a permanent stop to prevent closure of the air control vent beyond the 30% open position when sold into smoke control areas. The instructions for modifying the air control with the permanent stop (damper blocker) are provided at page 67.

Contura 810 Style
 Contura 820T Style
 Contura 856 Style
 Contura 856T Style
 Contura 856W Style
 Contura 870 Style
 Contura 886 Style
 Contura 890 Style
 Contura 890T Style
 Contura 896 Style

THE CLEAN AIR ACT 1993 AND SMOKE CONTROL AREAS

Under the Clean Air Act local authorities may declare the whole or part of the district of the authority to be a smoke control area. It is an offence to emit smoke from a chimney of a building, from a furnace or from any fixed boiler if located in a designated smoke control area. It is also an offence to acquire an "unauthorised fuel" for use within a smoke control area unless it is used in an "exempt" appliance ("exempted" from the controls which generally apply in the smoke control area).

In England appliances are exempted by publication on a list by the Secretary of State in accordance with changes made to sections 20 and 21 of the Clean Air Act 1993 by section 15 of the Deregulation Act 2015.

In Scotland appliances are exempted by publication on a list by Scottish

Ministers under section 50 of the Regulatory Reform (Scotland) Act 2014. Similarly, in Northern Ireland appliances are exempted by publication on a list by the Department of Agriculture, Environment and Rural Affairs under Section 16 of the Environmental Better Regulation Act (Northern Ireland) 2016. In Wales appliances are exempted by regulations made by Welsh Ministers.

Further information on the requirements of the Clean Air Act can be found here: <https://www.gov.uk/smoke-control-area-rules>

Your local authority is responsible for implementing the Clean Air Act 1993 including designation and supervision of smoke control areas and you can contact them for details of Clean Air Act requirements.

USER OPERATING INSTRUCTIONS

Please read these important notices before referring to the main instruction for detailed operating instructions.

Stove performance

Refer to the main instruction manual for details of the stove's performance.

Recommended fuels:

The stoves have a refuelling interval of 0.75h to achieve the nominal rated output. Wood logs should be seasoned with a moisture content of around 30%.

Refuelling on to a low fire bed:

If there is insufficient burning material in the firebed to light a new fuel charge, excessive smoke emission can occur. Refuelling must be carried out onto a sufficient quantity of glowing embers and ash that the new fuel charge will ignite in a reasonable period. If there are too few embers in the fire bed, add suitable kindling to prevent excessive smoke.

Fuel overloading:

The maximum amount of fuel specified in this manual should not be exceeded, overloading can cause excess smoke.

Operation with door left open:

Operation with the door open can cause excess smoke. The appliance must not be operated with the appliance door left open except as directed in the instructions.

HEALTH AND SAFETY PRECAUTIONS

Special care must be taken when installing the stove such that the requirements of the Health and Safety at Work Act are met.

Handling

Adequate facilities must be available for loading, unloading and site handling.

Fire Cement

Some types of fire cement are caustic and should not be allowed to come into contact with the skin. In case of contact wash immediately with plenty of water.

Asbestos

This stove contains no asbestos. If there is a possibility of disturbing any asbestos in the course of installation then please seek specialist guidance and use appropriate protective equipment.

Metal Parts

When installing or servicing this stove care should be taken to avoid the possibility of personal injury.

IMPORTANT WARNING

This stove must not be installed into a chimney that serves any other heating appliance.

There must not be an extractor fan fitted in the same room as the stove as this can cause the stove to emit fumes into the room.

Properly installed, operated and maintained this stove will not emit fumes into the dwelling. Occasional fumes from de ashing and re fuelling may occur. However, persistent fume emission is potentially dangerous and must not be tolerated. If fume emission does persist, then the following immediate action should be taken:

- (a) Open doors and windows to ventilate the room and then leave the premises.
- (b) Let the fire go out.
- (c) Check for flue or chimney blockage and clean if required.
- (d) Do not attempt to relight the fire until the cause of the fume emission has been identified and corrected.
If necessary seek expert advice.

The most common cause of fume emission is flueway or chimney blockage. For your own safety these must be kept clean at all times.

PREPARATORY WORK AND SAFETY CHECKS

Chimney

In order for the stove to perform satisfactorily the chimney height must be sufficient to ensure an adequate draught of approximately 15 Pa so as to clear the products of combustion and prevent smoke problems into the room.

NOTE: A chimney height of not less than 4.5 metres measured vertically from the outlet of the stove to the top of the chimney should be satisfactory. Alternatively the calculation procedure given in EN 13384-1 may be used as the basis for deciding whether a particular chimney design will provide sufficient draught. BS EN 15287-1:2007 gives additional details.

The outlet from the chimney should be above the roof of the building in accordance with the provisions of Building Regulations Approved Document J.

If installation is into an existing chimney then it must be sound and have no cracks or other faults which might allow fumes into the house. Older properties, especially, may have chimney faults or the cross section may be too large i.e. more than 230 mm x 230 mm. Remedial action should be taken, if required, seeking expert advice, if necessary. If it is found necessary to line the chimney then a flue liner suitable for solid fuel must be used in accordance with Building Regulations Approved Document J.

Any existing chimney must be clear of obstruction and have been swept clean immediately before installation of the stove. If the stove is fitted in place of an open fire then the chimney should be swept one month after installation to clear any soot falls which may have occurred due to the difference in combustion between the stove and the open fire.

If there is no existing chimney then any new system must be to the designation described above and in accordance with Building Regulations Approved Document J.

A single wall metal fluepipe is suitable for connecting the stove to the chimney but is not suitable for use as the complete chimney. The chimney and connecting fluepipe must have a minimum diameter of 150 mm and its dimension should be not less than the size of the outlet socket of the stove.

Any bend in the chimney or connecting fluepipe should not exceed 45°. 90° bends should not be used.

Combustible material should not be located where the heat dissipating through the walls of fireplaces or flues could ignite it. Therefore when installing the stove in the presence of combustible materials due account must be taken of the guidance on the separation of combustible material given in Building Regulations Approved Document J and also in these stove instructions.

If it is found that there is excessive draught in the chimney then a draught stabiliser should be fitted. Fitting of a draught stabiliser will affect the requirement for the permanent air supply into the room in which the stove is fitted in accordance with Approved Document J (see also combustion air supply).

Adequate provision e.g. easily accessible soot door or doors must be provided for sweeping the chimney and connecting fluepipe where it is not intended for the chimney to be swept through the appliance.

Hearth

The hearth should be level and able to accommodate the weight of the stove and its chimney if the chimney is not independently supported. The weight of the stove is indicated in the brochure.

The stove should preferably be installed on a non-combustible hearth of a size and construction that is in accordance with the provisions of the current Building Regulations Approved Document J.

The clearance distances to combustible material beneath, surrounding or upon the hearth and walls adjacent to the hearth should comply with the guidance on the separation of combustible material given in Building Regulations Approved Document J and also in these stove instructions.

If the stove is to be installed on a combustible floor surface, it must be covered with a non-combustible material at least 12 mm thick, in accordance with Building Regulations Approved Document J, to a distance of 30 cm in front of the stove and 15 cm to each side measuring from the door of the combustion chamber.

Combustion air supply

In order for the stove to perform efficiently and safely there must be an adequate air supply into the room in which the stove is installed to provide combustion air. The provision of air supply to the stove must be in accordance with current Building Regulations Approved Document J. Special attention should be taken in newer build properties where the design air permeability is less than 5m³/h.m². Approved Document J gives more information on this. An opening window is not appropriate for this purpose.

The fitting of an external air kit direct to outside air must not be considered substitute for installing the appliance with a permanently open air vent in compliance with ventilation requirements stated in Approved Document J. Please reference ADJ for further guidance.

Connection to chimney

Stoves may have a choice of either a rear or top flue gas connector that allows connection to either a masonry chimney or a prefabricated factory made insulated metal chimney in accordance with their instructions. In some cases it may be necessary to fit an adaptor to increase the diameter of the flue to the minimum required 150 mm section of the chimney or liner. All joints in the connection between the stove and the chimney must be made gastight using fire cement and where necessary fire-proof rope infill. Means should be made for sweeping the entire length of the flue, be that through the appliance or by suitable sweeping hatch in the flue.

Commissioning and handover

Ensure all parts are fitted in accordance with the instructions.

On completion of the installation allow a suitable period of time for any fire cement and mortar to dry out, before lighting the stove. Once the stove is under fire check all seals for soundness and check that the flue is functioning correctly and that all products of combustion are vented safely to atmosphere via the chimney terminal.

On completion of the installation and commissioning ensure that the operating instructions for the stove are left with the customer. Ensure to advise the customer on the correct use of the appliance and warn them to use only the recommended fuel for the stove.

Advise the user what to do should smoke or fumes be emitted from the stove. The customer should be warned to use a fireguard to BS 8423:2002 (Replaces BS 6539) in the presence of children, aged and/or infirm persons.

IMPORTANT NOTES

General

Before lighting the stove check with the installer that the installation work and commissioning checks described above have been carried out correctly and that the chimney has been swept clean, is sound and free from any obstructions. As part of the stoves' commissioning and handover the installer should have shown you how to operate the stove correctly.

CO Alarm

Your installer should have fitted a CO alarm in the same room as the appliance. If the alarm sounds unexpectedly, follow the instructions given under "Warning Note" above.

Air Controls

Manually operated air control can be managed by adjusting the air control valve to increase/decrease the air flow to the stove.

Use of fireguard

When using the stove in situations where children, aged and/or infirm persons are present a fireguard must be used to prevent accidental contact with the stove. The fireguard should be manufactured in accordance with BS 8423:2002.

Chimney cleaning

The chimney should be swept at least twice a year. It is important that the flue connection and chimney are swept prior to lighting up after a prolonged shutdown period.

If the stove is fitted in place of an open fire then the chimney will require sweeping after a month of continuous operation. This is a precaution to ensure that any "softer" deposits left from the open fire usage have not been loosened by the higher flue temperatures generated by the closed stove.

In situations where it is not possible to sweep through the stove the installer will have provided alternative means, such as a soot door. After sweeping the chimney the stove flue outlet and the flue pipe connecting the stove to the chimney must be cleaned with a flue brush.

Periods of Prolonged Non-Use

If the stove is to be left unused for a prolonged period of time then it should be given a thorough clean to remove ash and unburned fuel residues. To enable a good flow of air through the appliance to reduce condensation and subsequent damage, leave the air controls fully open.

Extractor fan

There must not be an extractor fan fitted in the same room as the stove as this can cause the stove to emit smoke and fumes into the room.

Aerosol sprays

Do not use an aerosol spray on or near the stove when it is alight.

Use of operating tools

Always use the operating tools provided when handling parts likely to be hot when the stove is in use.

Chimney Fires

If the chimney is thoroughly and regularly swept, chimney fires should not occur. However, if a chimney fire does occur turn off the stove immediately and isolate the mains electricity supply (if applicable), and tightly close the doors of the stove. This should cause the chimney fire to go out. If the chimney fire does not go out when the above action is taken then the fire brigade should be called immediately. Do not relight the stove until the chimney and flueway have been cleaned and examined by a professional.

Permanent air vent

The stove requires a permanent and adequate air supply in order for it to operate safely and efficiently. In accordance with current Building Regulations the installer may have fitted a permanent air supply vent into the room in which the stove is installed to provide combustion air. This air vent should not under any circumstances be shut off or sealed.

Possible causes of malfunctions and how to rectify them

There is poor draft in the fireplace after new installation

- Check the dimensions of the chimney so that they correspond to the ones stated in the installation instructions.
- Check that there is nothing in the chimney to restrict the smoke and that no nearby buildings or trees affect the wind around the chimney.

It is difficult to light the fire and the fire dies after a short time

- Check that the wood is sufficiently dry.
- Too great a negative pressure in the house, for example when using a kitchen extractor fan or other mechanical ventilation. Open a window near the firebox before lighting the fire. Also try lighting some newspaper and holding it up inside the firebox to get the draft going.
- The supply air duct from outdoors may be partially or totally blocked. Remove the hose and try test lighting with combustion air from the room.
- Check that the combustion air damper is open.
- The smoke outlet of the stove may be blocked with soot, which can occur after sweeping. Lift the smoke baffle out and check.
- Finally, go through the lighting instructions again. Perhaps the amount of kindling was too small and therefore the base embers were too weak and cold to light the next load of wood.

Excessive amounts of soot form on the glass

There is always a certain amount of soot on the glass and this is added to with each lighting. Soot on the glass is caused by three things:

- The wood is damp, which causes poor combustion and generates a lot of smoke as a result.
- Too low temperature in the firebox, which causes incomplete combustion and poor draft in the chimney.
- The start-up fire is not made according to the instructions.

Smoke odour around the firebox at times

This can occur when wind blows down the chimney and most often occurs when the wind is from a particular direction. Another reason could be that the door was opened when there was a lot of flame.

Painted parts have become discoloured

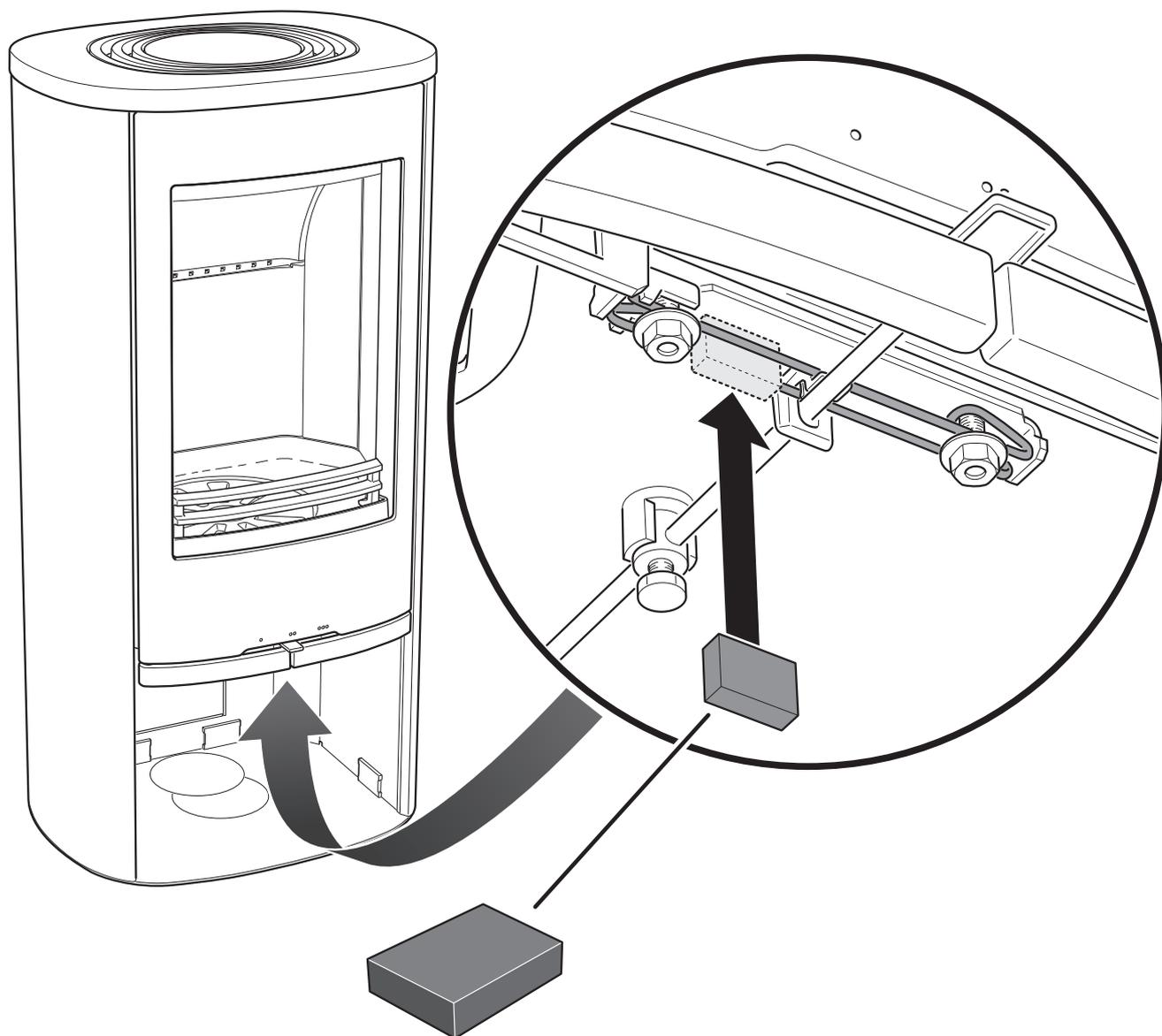
If painted parts have discoloured it is due to excessive temperature in the firebox. The reason for the excessive temperature could be that the maximum amount of wood has been used or that inappropriate fuel has been used (for example building waste, large quantities of finely chopped off cuts). The warranty does not cover damage of this type. If a problem occurs that you cannot rectify yourself, contact the dealer or a chimney sweep.

We hope that these lighting tips give you enjoyable, economical and problem free use of your Contura fireplace.

Damper Blocker, mandatory for Smoke Control Areas

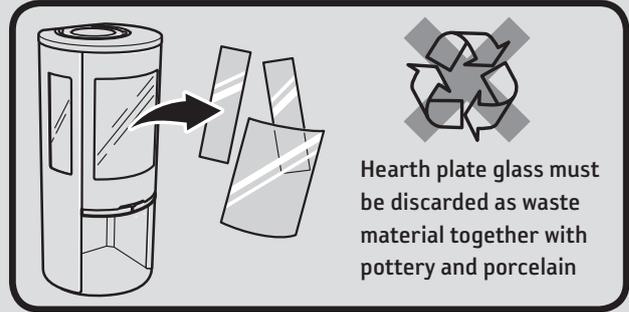
The damper block is magnetic but must also be clamped between the two steel bars as indicated in the diagram below.

Damper Blocker for C800 Style



Waste management

The stove packaging is cardboard, wood and a small amount of plastic. The materials must be sorted and recycled.



- During operation, the surfaces of the fireplace become very hot and can cause burn injury if touched.
- Also, take heed of the strong heat radiated through the door glass.
- Placing flammable material closer than the safe distance indicated may cause a fire.
- Smoulder combustion can cause quick gas ignition with the risk of damage to property and personal injury.
- The ash-pan must be emptied when it is full. If this is not done, the air supply can become blocked, resulting in poor function. In serious cases, ash can find its way out through the damper.
- Modifications to the stove must not be carried out by unauthorised persons.

SWEEPING

Sweeping the chimney ducts and chimney connections should be carried out by a chimney sweep. Sweep the stove by scraping and/or brushing. A soot vacuum cleaner is most appropriate however. If a chimney fire occurs or is suspected, the combustion damper and the door must be closed. If necessary, contact the fire brigade to extinguish it. The chimney must always be inspected by a chimney sweep after a chimney fire.

