

Contura

130



| | |
|------------------------------|---|
| Facts | 1 |
| Installation distances | 4 |
| Declaration of performance | 6 |
| EU Declaration of Conformity | 7 |
| Assembly | 8 |

Facts



5 kW



545 mm



465 mm



375 mm



75 kg

Nominal effect
Efficiency
Flue gas mass flow

5 kW
80,7%
4,3 g/s

Meets requirements of:
European standard EN-13240
Clean Air Act. 61534 (UK)



The stove becomes very hot

During operation, certain surfaces of the stove become very hot and can cause burn injury if touched. Be aware of the strong heat radiated through the hatch glass. Placing flammable material closer than the safe distance indicated may cause a fire. Pyre lighting can cause quick gas ignition with the risk of damage to property and personal injury.

Installation by authorised technician

This manual contains instructions about how the stoves must be assembled and installed. To ensure the function and safety of the stove, the installation should be carried out by a Hetas trained engineer. Contact one of our dealers who can recommend suitable installer. When completed, the installer should inform the local Council/ authority about the new installation.

Building application

These main instructions may give guidance which would contravene national building regulations. Please refer to supplementary instructions or ask your local authority for advice regarding building regulations. Before installing a stove or erecting a chimney it is necessary for you to make a building application permission to your local authority. The owner of the house is personally responsible for ensuring compliance with the mandatory safety requirements and must have the installation approved by a qualified inspector. Your local chimney sweep must also be informed about the installation as this will affect the routines for regular chimney-sweeping services.

Structural support

Check that the wood joists are strong enough to bear the weight of the stove and chimney. The stove and chimney can usually be placed on a normal wooden joist in a single occupancy house if the total weight does not exceed 400 kg.

Hearth plate

Due to the risk of falling embers, a flammable floor must be protected by a hearth plate. It must extend 300 mm in front of the stove and 100 mm on each side of the stove, or have a 200 mm extension on each side of the opening. The hearth plate can consist of natural stone, concrete, metal plate or glass.

Final inspection of the installation

It is extremely important that the installation is inspected by an authorised chimney sweep before the stove is used. Also read the "Lighting instructions", before lighting for the first time.

Connection to chimney

- The stove must be connected to chimneys dimensioned for a minimum flue gas temperature of 400°C.
- The stove should not be installed in a chimney serving more than one appliance.
- The diameter of the connection sleeve is designed to fit chimney pipes with an external diameter of Ø125 mm. A connection sleeve is available, as an optional extra, for chimney pipes with an internal diameter of Ø150 mm.
- Normal chimney draw under nominal operation should be between 20-25 Pa close to the connector. The draft is affected both by the length and area of the chimney, and by how well sealed it is. The recommended minimum flue length is 3.5 m and its diameter should be Ø125 to Ø150 mm.
- A flue with sharp bends and horizontal routing reduces the draught in the chimney. Maximum horizontal flue is 1 m, on the condition that the vertical flue length is at least 5 m.
- It must be possible to sweep the full length of the flue and the soot hatches must be easily accessible.
- Carefully check that the chimney is sealed and that there is no leakage around soot hatches and flue connections.

Supply of combustion air

When a stove is installed in a room, the demand for air supply to the room increases. Air can be provided indirectly via a vent in the outer wall or via a duct from the outside that is connected to the connector on the underneath of the stove. The amount of air needed for combustion is 20 m³/h.

The connector (accessory) for the combustion air has an external diameter of 80 mm. When duct routing further than 1 m the pipe diameter must be increased to 100 mm and a correspondingly larger wall vent must be selected.

In hot areas, the duct should be insulated with 30 mm mineral wool with a moisture inhibiting outer cover. It is also important to seal around the hole in the wall (or floor) of the lead-in using sealant.

A 1 m length of condensation insulated ducting for combustion air is available as an accessory.

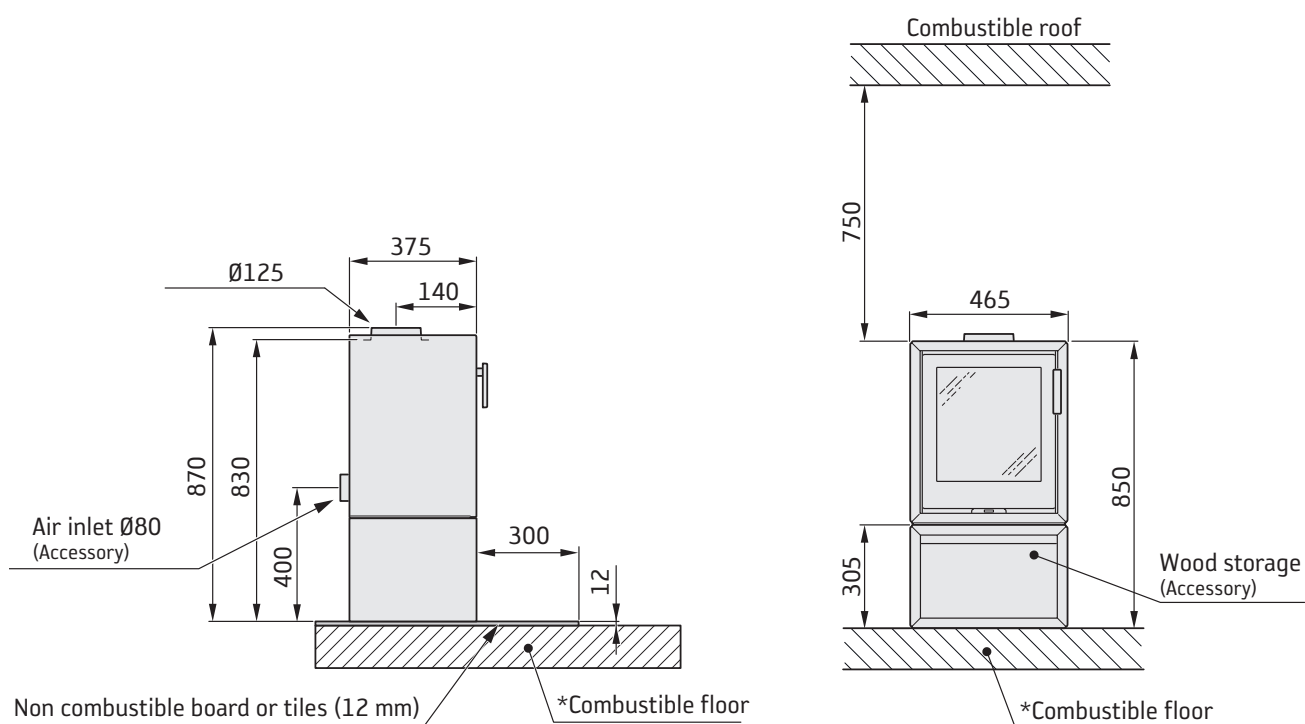
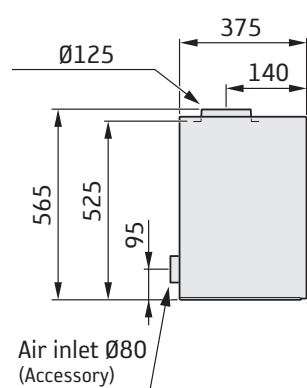
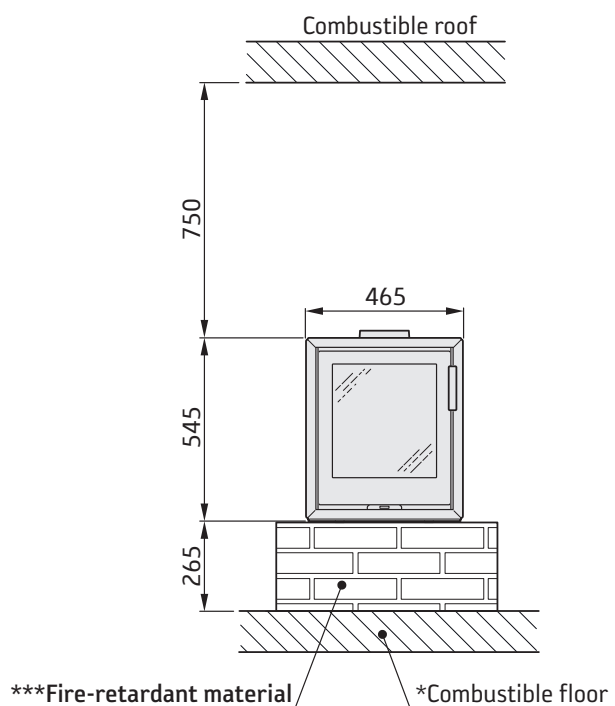
Installation distances

C130

Move the stove in position and check that the minimum installation distances given in the diagrams are met. The minimum distance in front of the stove opening to combustible parts of the building or interior decoration must be at least 1,2 m. If the appliance will be placed on the floor it must stand on a constructional hearth which meet the building regulations and has minimum dimension as shown in the diagram.

Always check that the building has enough bearing capacity for the hearth, stove and chimney.

When top connecting a steel flue please refer to the relevant manufacturer's installation instructions. Observe the safety distances to combustible material that steel flues require.



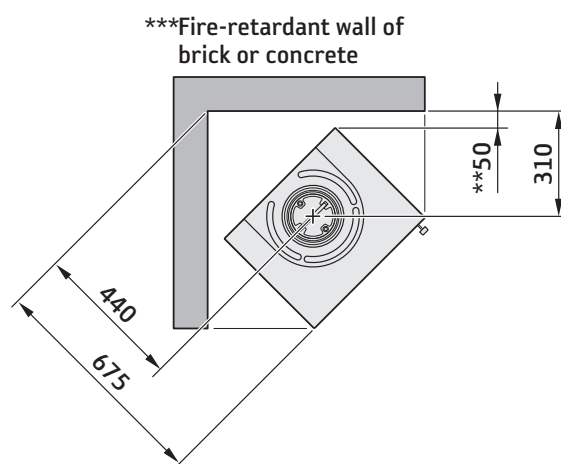
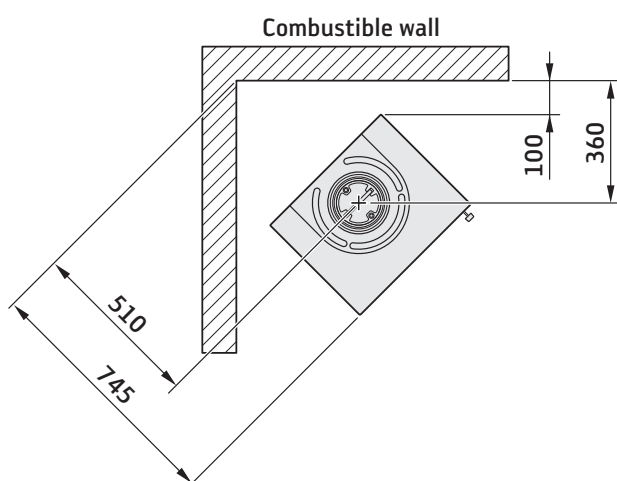
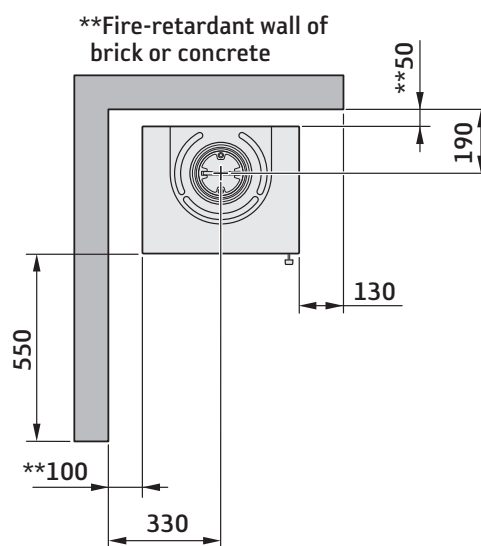
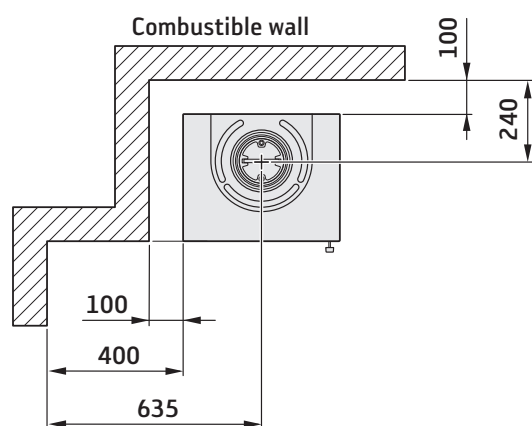
* Protected with 12 mm non-combustible material according to Building regulations for England.

** To prevent discolouration of painted non-flammable walls we recommend that the same side distance as to combustible walls is used.

*** Example of an approved material are solid bricks or 100 mm aerated concrete.

Installation distances

C130



* Protected with 12 mm non-combustible material according to Building regulations for England.

** To prevent discolouration of painted non-flammable walls we recommend that the same side distance as to combustible walls is used.

*** Example of an approved material are solid bricks or 100 mm aerated concrete.

Declaration of performance according to Regulation (EU) 305/2011

No. C130-UKCA-240201

Contura

PRODUCT

Type Wood burning insert
Trade name Contura 130
Intended area of use Heating of rooms in residential buildings
Fuel Wood

MANUFACTURER

Name Contura AB
Address Box 134, Skulptörvägen 10
SE-285 23 Markaryd, Sweden

VERIFICATION

According to AVCP System 3
European standard EN 13240:2001 / A2:2004 / AC:2007
Test institute KIWA UK, NB 0692

DECLARED PERFORMANCE

| ESSENTIAL CHARACTERISTICS | PERFORMANCE | HARMONISED TECHNICAL SPECIFICATION |
|---|--|------------------------------------|
| Fire safety | Pass | EN 13229:2001 / A2:2004 / AC:2007 |
| Fire classification | A1 | |
| Minimum distance to flammable materials | Rear: 100 mm Side: 100/400 mm Ceiling: 750 mm Front: 1200 mm Floor: 265 mm Corner: 150 mm | |
| Fire hazard due to burning fuel falling out | Pass | |
| Cleanability | Pass | |
| Emissions from combustion | CO: 1500 mg/ m ³ NOx: 200 mg/ m ³ OGC: 120 mg/ m ³ PM: 40 mg/ m ³ | |
| Surface temperatures | Pass | |
| Temperature on the handle | NPD | |
| Mechanical resistance | Pass | |
| Temperature in the space for wood storage | NPD | |
| Nominal output | 5,0 kW | |
| Efficiency | 80,7% | |
| Flue gas temperature at nominal output | 260°C | |
| Flue gas temperature in flue spigot | NPD | |

The undersigned is responsible for the manufacture and conformity with the declared performance.



Niklas Gunnarsson, Business area manager NIBE STOVES
Markaryd, February 1, 2024



EU Declaration of Conformity

| | |
|--------------|--|
| Manufacturer | Contura AB |
| Address | Box 134, Skulptörvägen 10 285 23 Markaryd, Sweden |
| E-Mail | info@contura.se |
| Website | www.contura.eu |
| Telephone | +46 433 275100 |

Contura

| THIS DECLARATION OF CONFORMITY IS ISSUED UNDER OUR SOLE RESPONSIBILITY FOR THE FOLLOWING PRODUCT: | | | | | | | |
|--|----------------|---|--------------|---|-----------------|-------|-----------------|
| Trade name | | Contura 130 | | | | | |
| Identification of product | | www.contura.eu | | | | | |
| THE OBJECT OF THE DECLARATION DESCRIBED ABOVE IS IN CONFORMITY WITH - | | | | | | | |
| THE RELEVANT UNION HARMONIZATION LEGISLATION: | | | | THE RELEVANT HARMONIZED STANDARDS: | | | |
| DIR 2009/125/EC | | EN 13240:2001/A2:2004/AC:2007 | | | | | |
| REG (EU) 2015/1185 | | CEN/TS 15883:2010 | | | | | |
| REG (EU) 2015/1186 | | | | | | | |
| REG (EU) 2017/1369 | | | | | | | |
| REG (EU) 305/2011 | | | | | | | |
| TECHNICAL DOCUMENTATION | | | | | | | |
| Energy efficiency class: | | A+ | | | | | |
| Direct heat output: | | 5,0 kW | | | | | |
| Indirect heating functionality: | | No | | | | | |
| Energy Efficiency Index (EEI): | | 107,0 | | | | | |
| Test report | | KIWA UK, NB 0692 | | | | | |
| FUEL | PREFERRED FUEL | OTHER SUITABLE FUEL | η_s (%) | EMISSIONS AT NOMINAL HEAT OUTPUT | | | |
| | | | | PM | OGC | CO | NO _x |
| mg/ Nm ³ (13% O ₂) | | | | | | | |
| Wood logs with moisture content \leq 25% | Yes | No | 70,7 | 40 | 120 | 1500 | 200 |
| Compressed wood with moisture content $<$ 12% | No | Yes | 70,7 | 40 | 120 | 1500 | 200 |
| Other woody biomass | No | No | | | | | |
| Non-wood biomass | No | No | | | | | |
| Anthracite and dry steam coal | No | No | | | | | |
| Hard coke | No | No | | | | | |
| Low temperature coke | No | No | | | | | |
| Bituminous coal | No | No | | | | | |
| Lignite briquettes | No | No | | | | | |
| Peat briquettes | No | No | | | | | |
| Blended fossil fuel briquettes | No | No | | | | | |
| Other fossil fuel | No | No | | | | | |
| Blended biomass and fossil fuel briquettes | No | No | | | | | |
| Other blend of biomass and solid fuel | No | No | | | | | |
| CHARACTERISTICS WHEN OPERATING WITH THE PREFERRED FUEL | | | | | | | |
| ITEM | SYMBOL | VALUE | UNIT | ITEM | SYMBOL | VALUE | UNIT |
| HEAT OUTPUT | | | | USEFUL EFFICIENCY, BASED ON NET CALORIFIC VALUE (NCV) | | | |
| Nominal heat output: | P_{nom} | 5,0 | kW | Useful efficiency at nominal heat output | $\eta_{th,nom}$ | 80,7 | % |
| AUXILIARY ELECTRICITY CONSUMPTION | | | | TYPE OF HEAT OUTPUT/ROOM TEMPERATURE CONTROL | | | |
| At nominal heat output | el_{max} | - | kW | Single stage heat output, no room temperature control | | | Yes |
| At minimum heat output | el_{min} | - | kW | Two or more manual stages, no room temperature control | | | No |
| In standby mode | el_{SB} | - | kW | With mechanic thermostat room temperature control | | | No |
| | | | | With electronic room temperature control | | | No |
| | | | | With electronic room temperature control plus day timer | | | No |
| | | | | With electronic room temperature control plus week timer | | | No |
| | | | | OTHER CONTROL OPTIONS | | | |
| | | | | Room temperature control, with presence detection | | | No |
| | | | | Room temperature control, with open window detection | | | No |
| | | | | With distance control option | | | |
| Specific precautions for assembly, installation, or maintenance. | | Fire protection and safety distances to combustible building materials must be observed under all circumstances. A sufficient supply of combustion air must always be guaranteed. Air suction systems can interfere with the combustion air supply. | | | | | |

The undersigned is responsible for the manufacture and conformity with the declared performance.



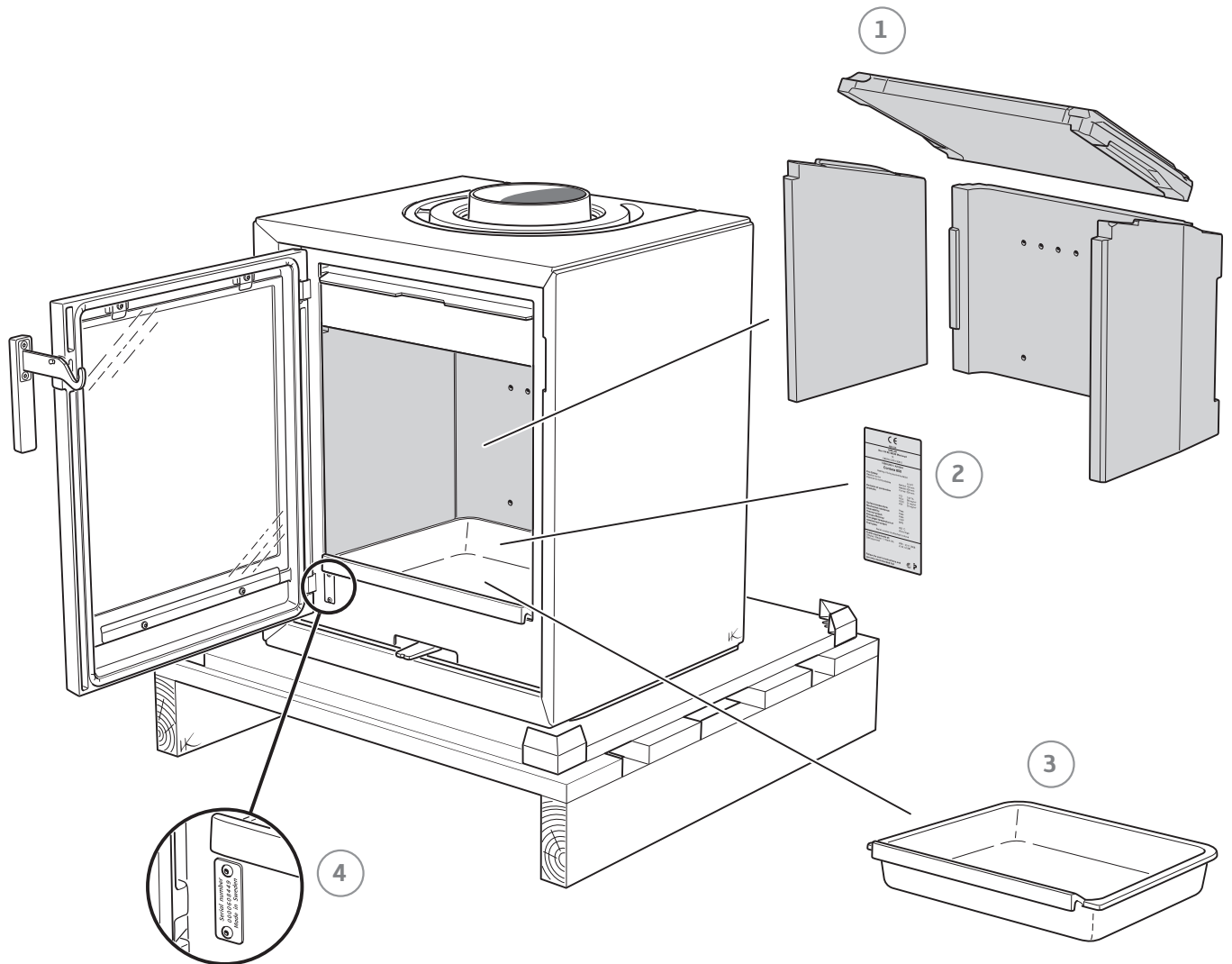
Niklas Gunnarsson, Business area manager NIBE STOVES
Markaryd, February 1, 2024



Prior to installation

If the stove needs to be laid down for it to be moved, loose components should be removed. A description of how to remove hearth cladding can be found at the end of these instructions.

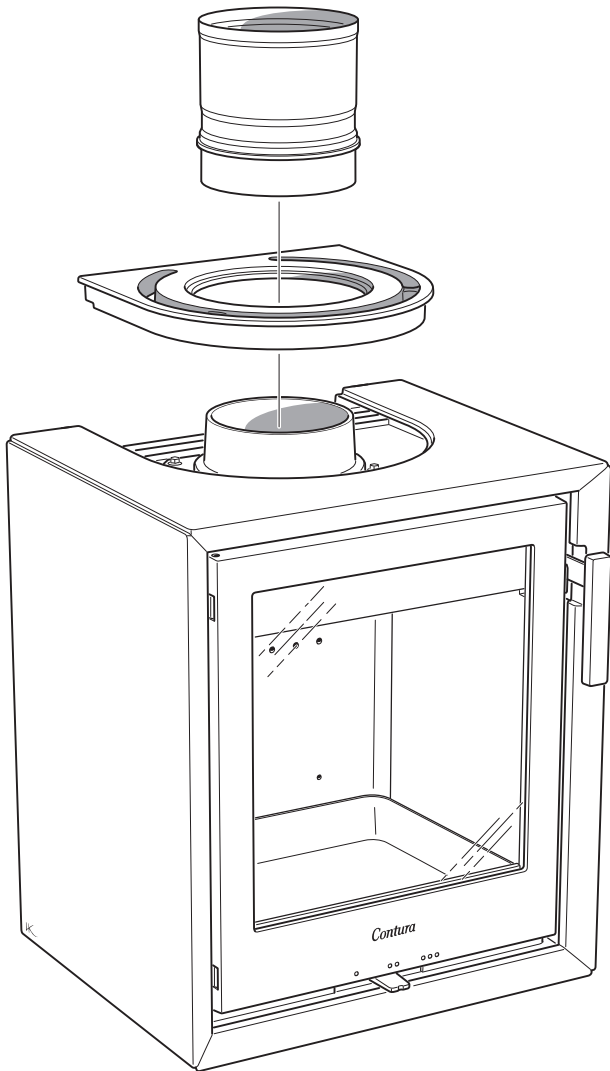
- 1 Fire bricks (Vermiculite)
- 2 Type plate
- 3 Inner bottom panel
- 4 Serial number

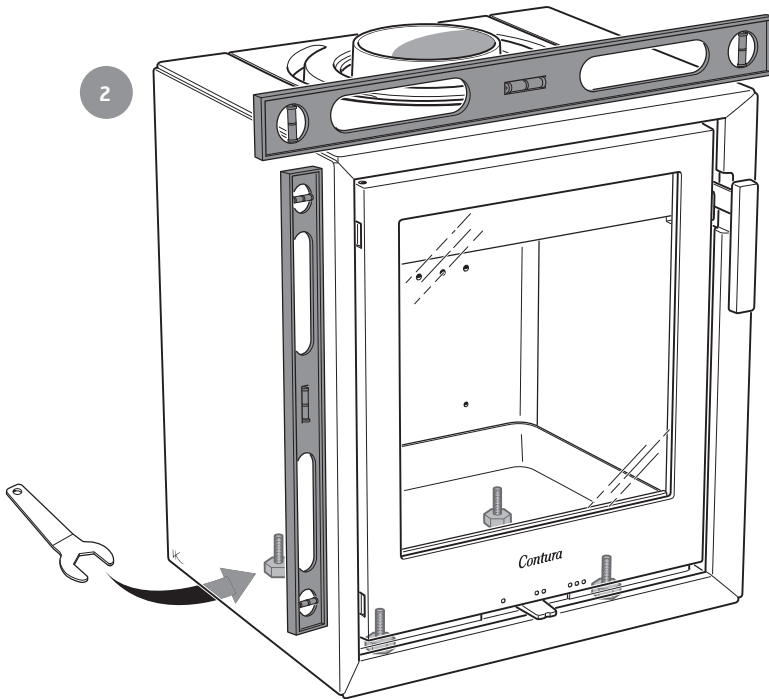
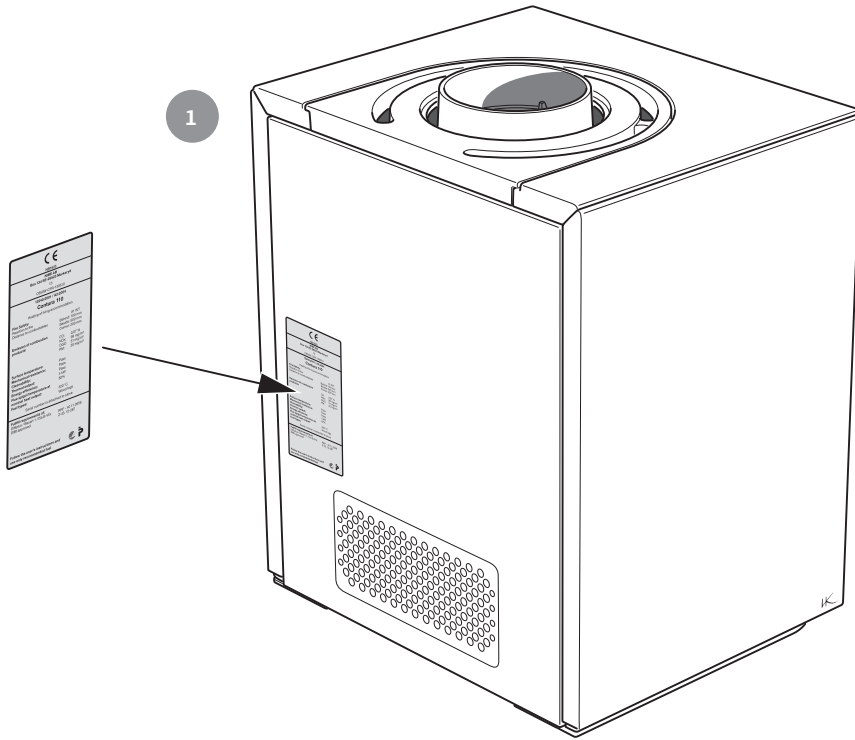




Top connection to the chimney

The hot air grille must be installed before chimney top connection.

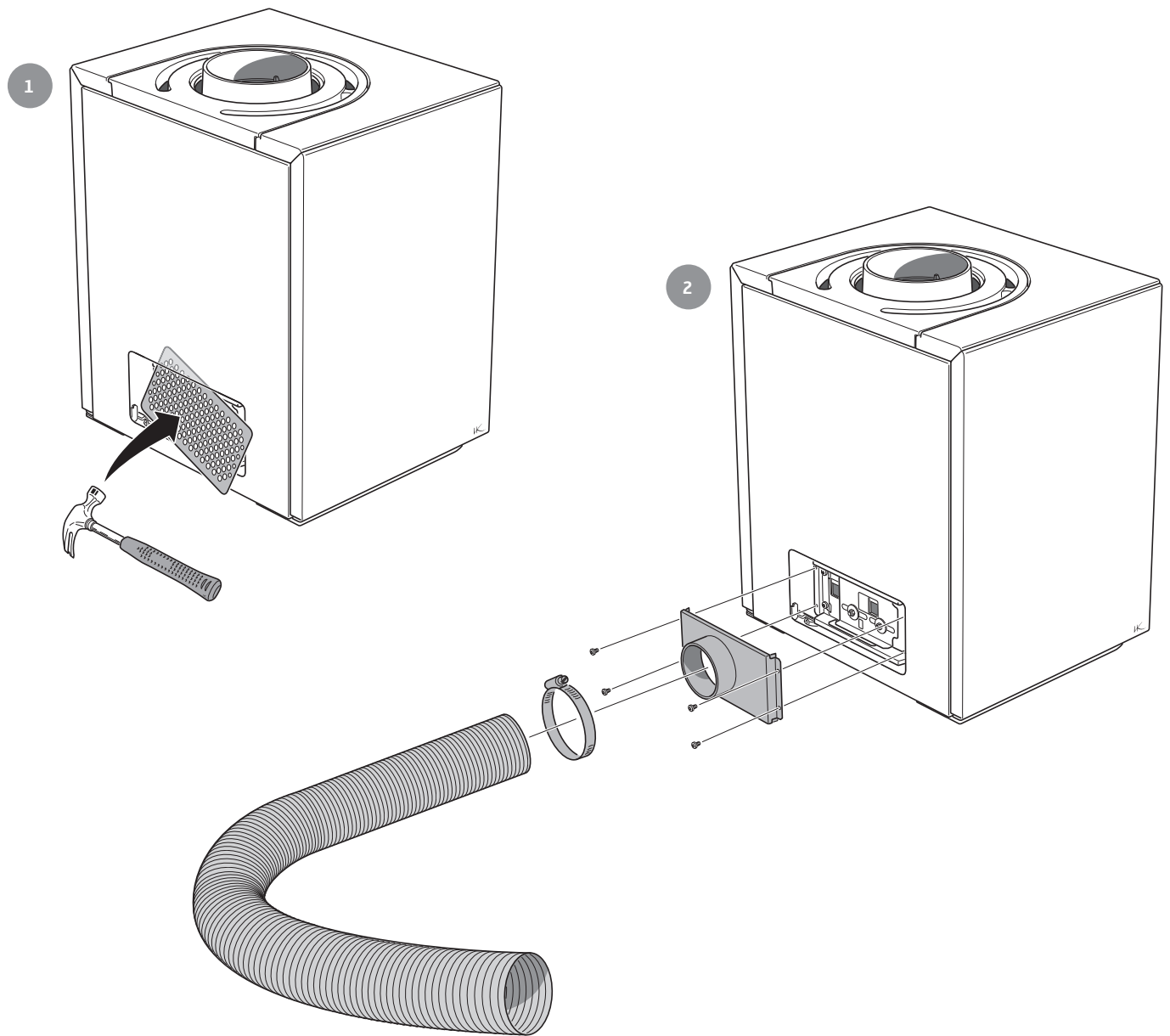






Supply

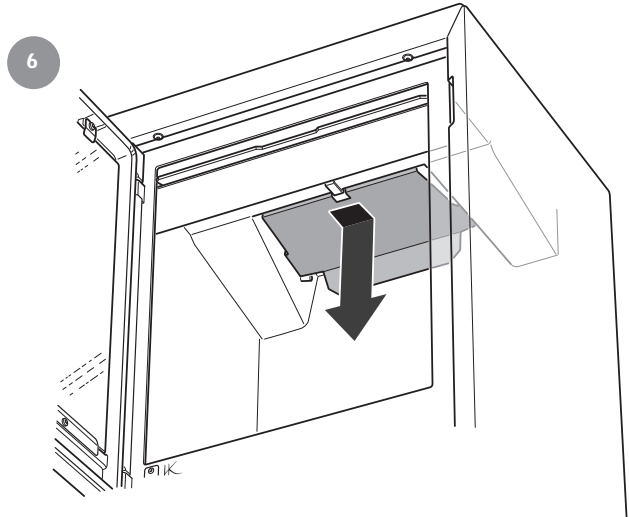
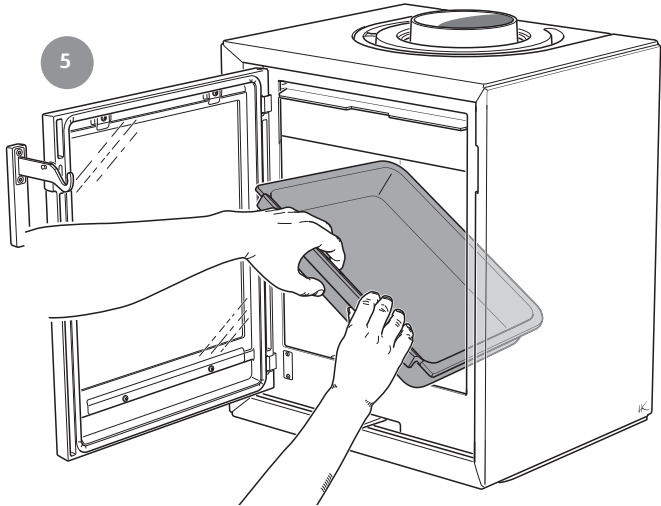
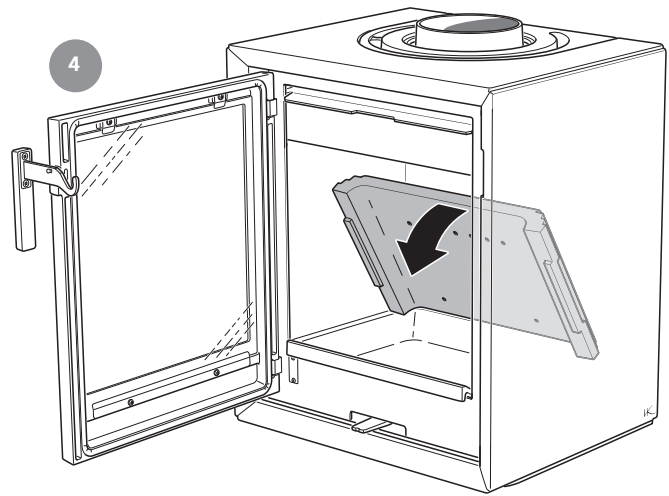
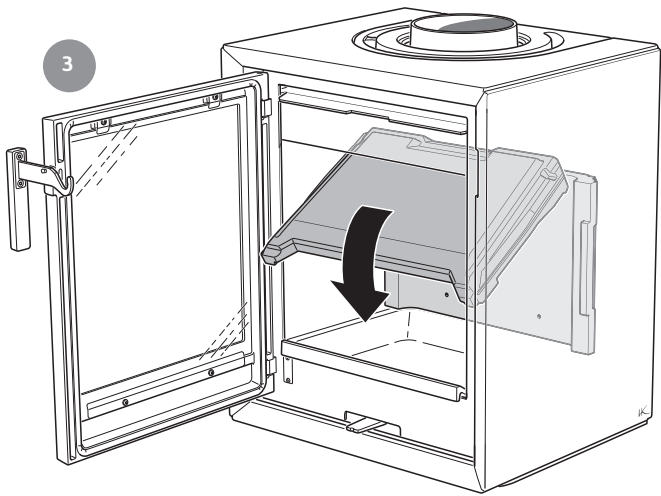
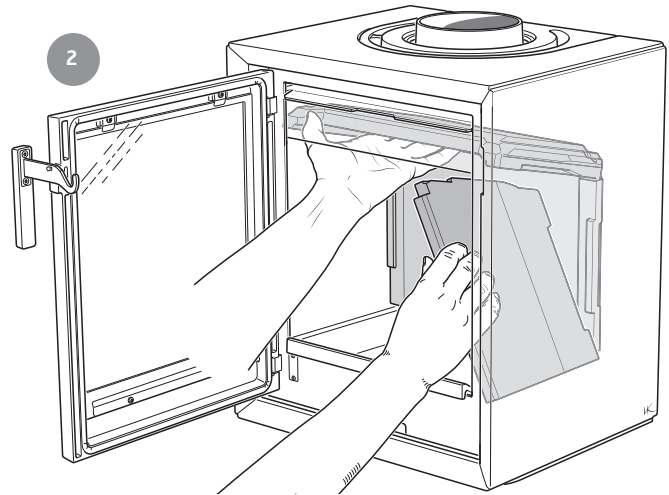
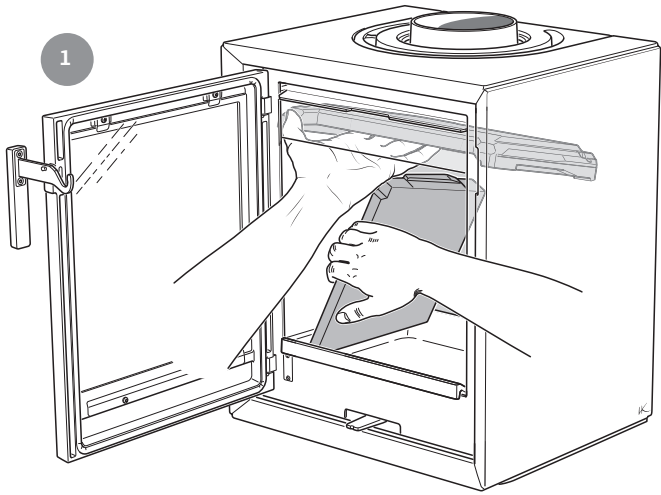
Accessories: Air inlet





How to remove the hearth surround (Vermiculite)


Handle with care!





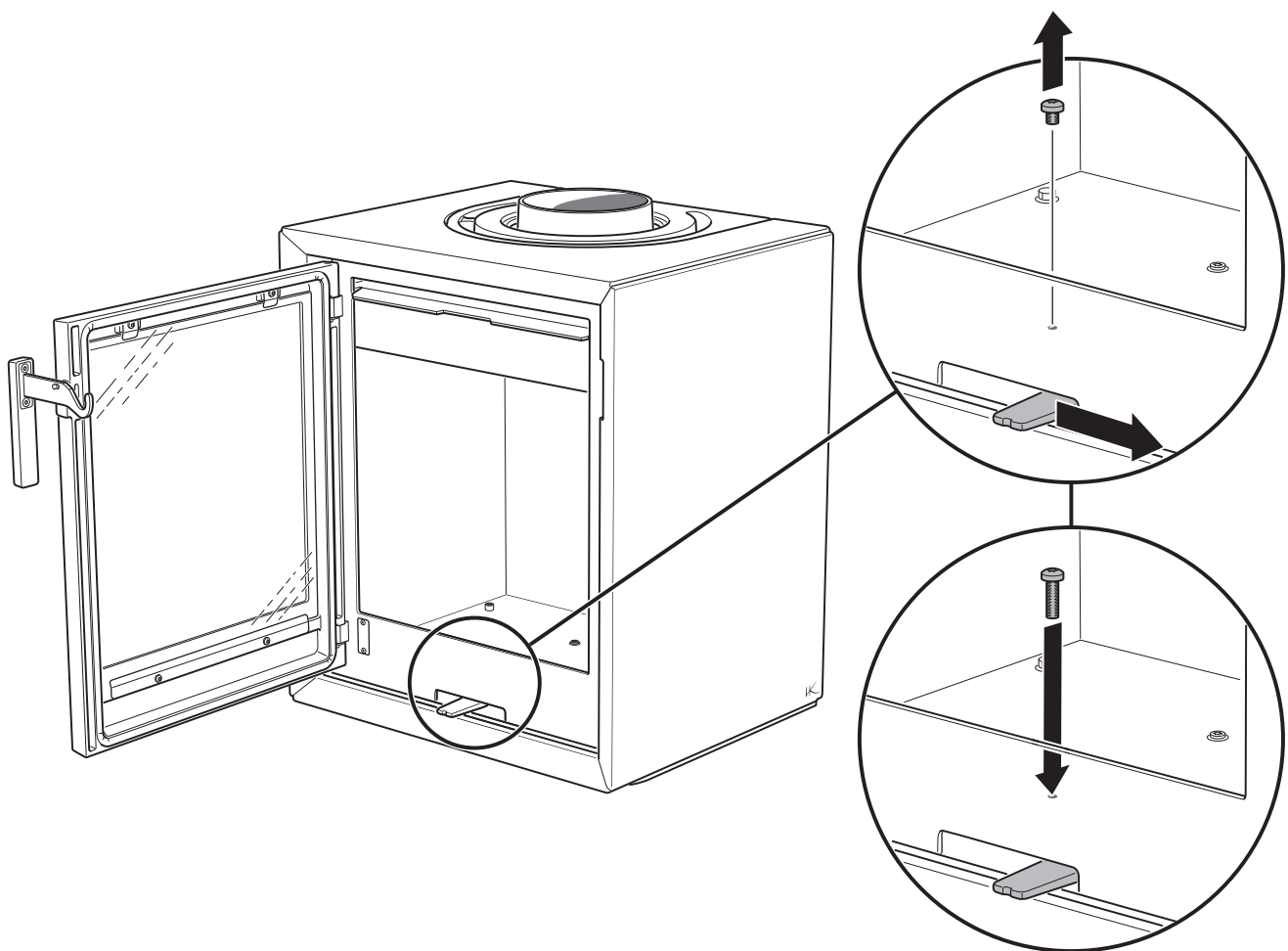
For installation in the UK and in smoke control areas

Mandatory for smoke control areas

Contura 130, 5 kW woodburning stoves has been recommended as suitable for use in smoke control areas. This when burning wood logs and operated in accordance with these instructions and when fitted with a permanent stop to prevent closure of the air control unit beyond 40% open position.

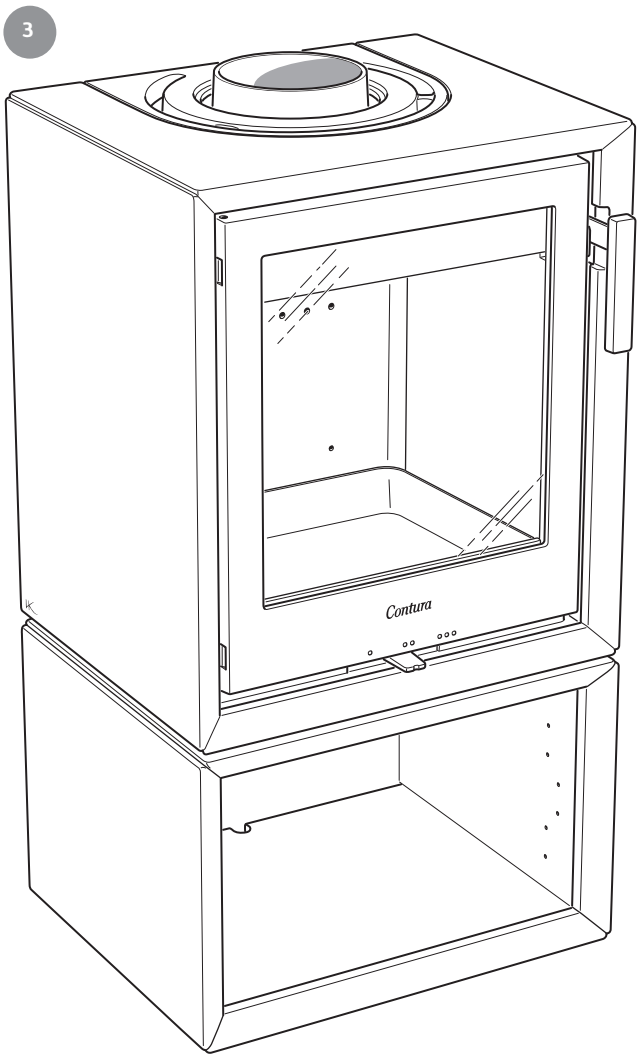
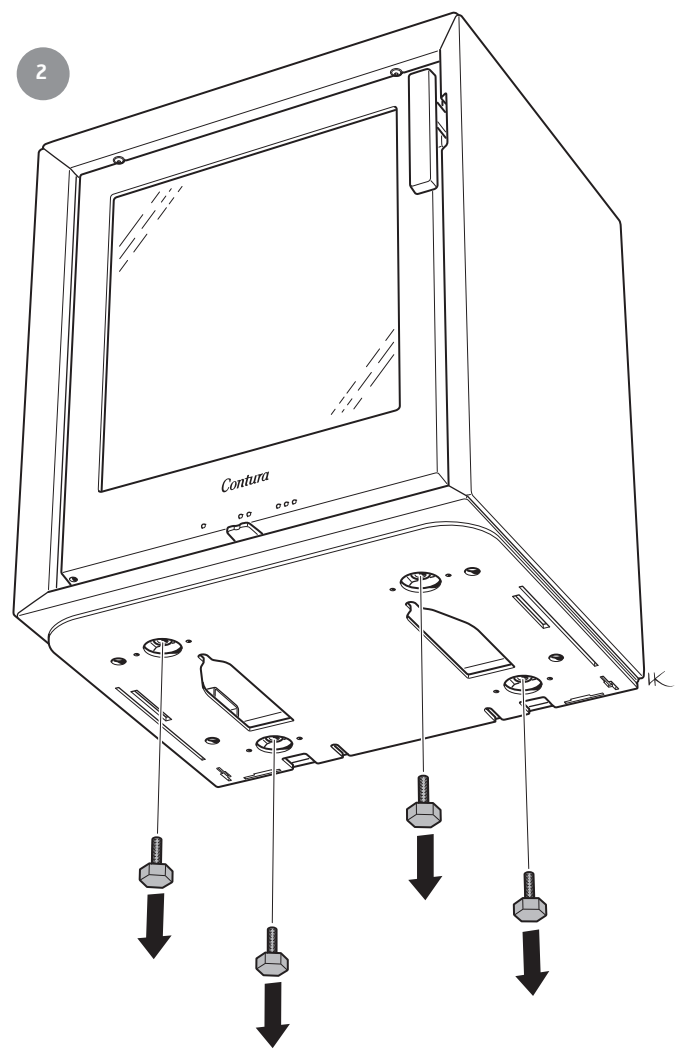
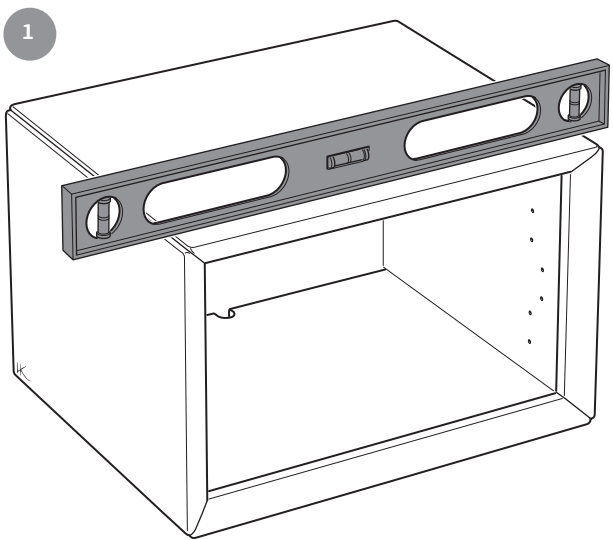
The permanent stop must be installed if the appliance is to be used in a smoke control area, this stop must not be removed in smoke control areas, otherwise an offence will be committed if the appliance is used without the permanent stop in place.

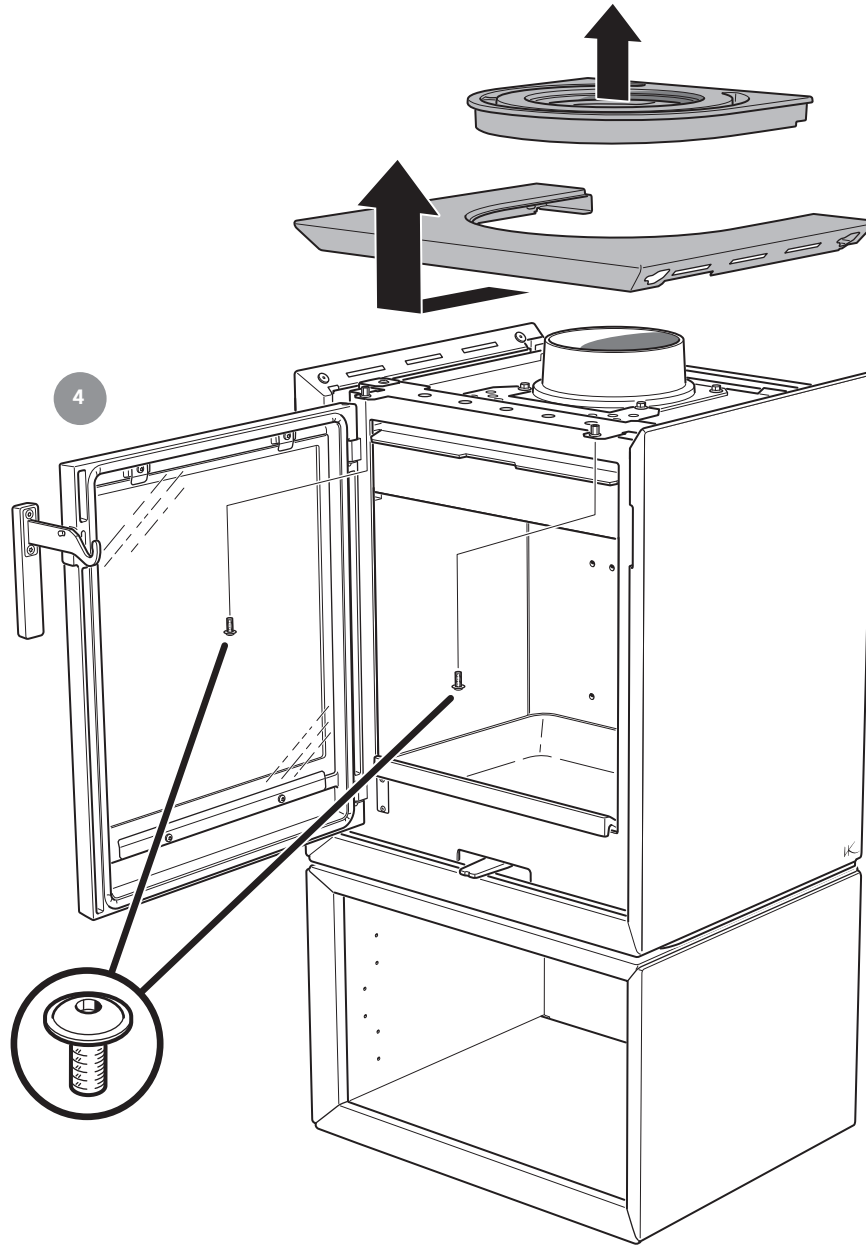
Note: When refueling - open the air control fully for 3-5 minutes before closing down to the minimum air setting.

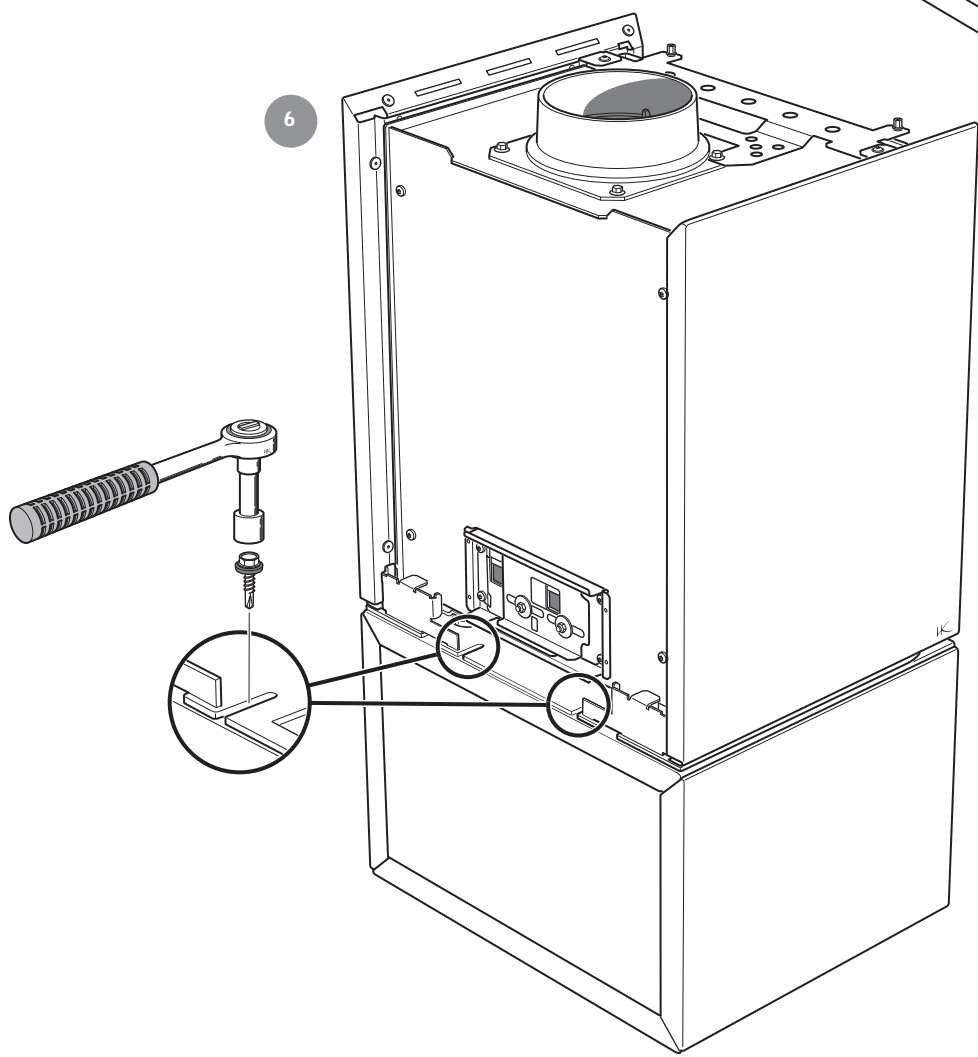
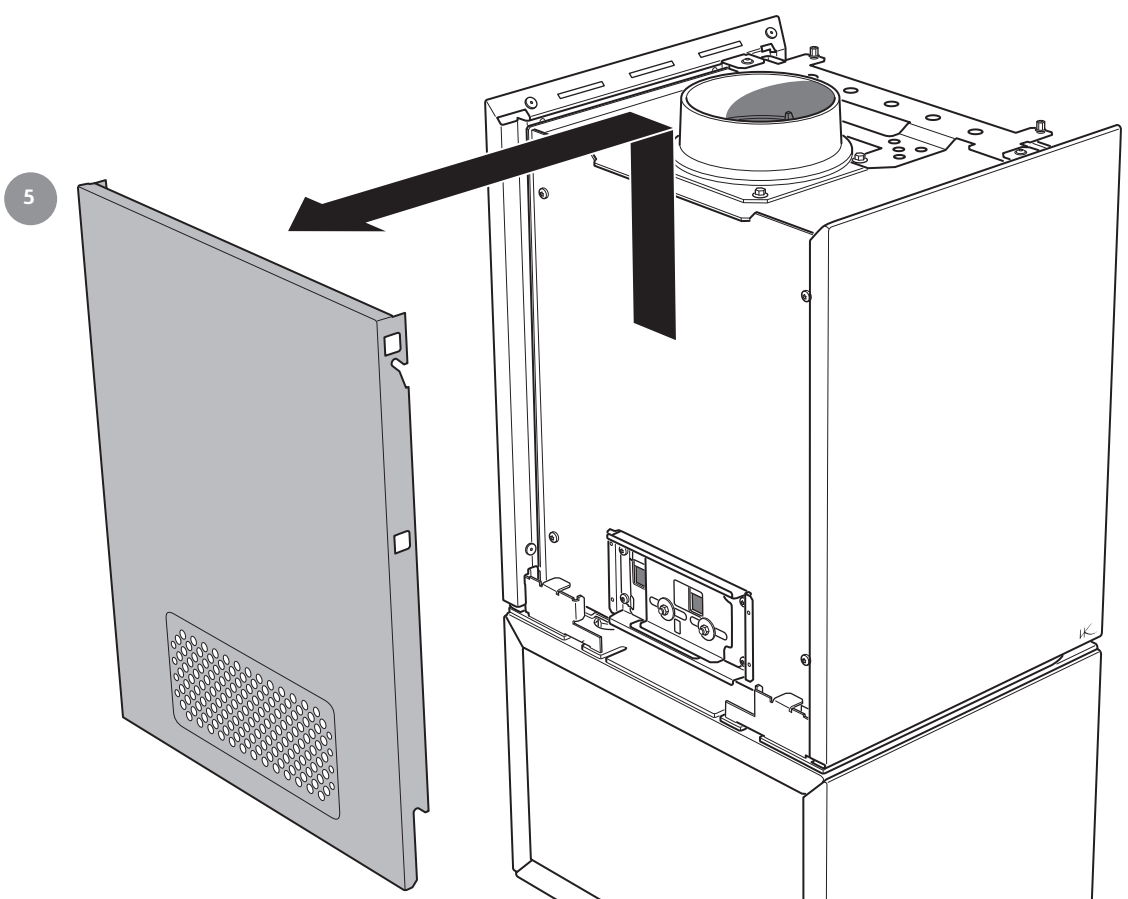




Installing the Wood storage (Accessory)



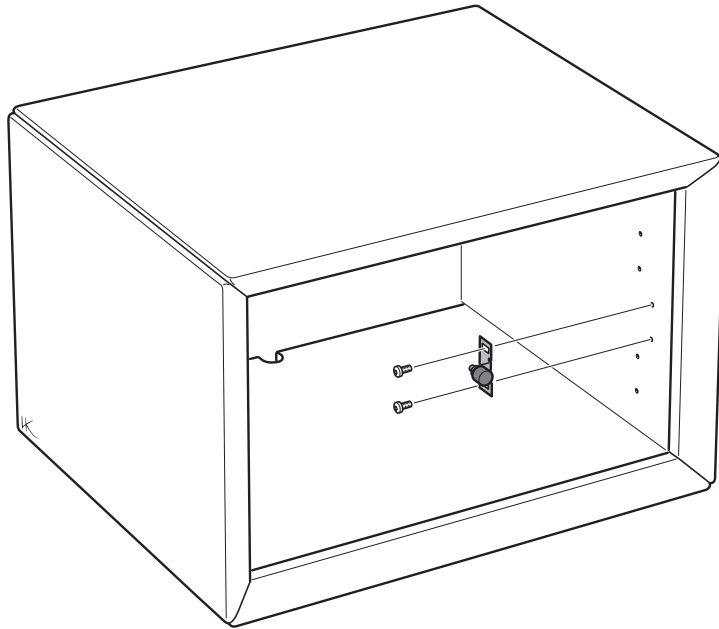






Installing the bottom door (Accessory)

1



2

