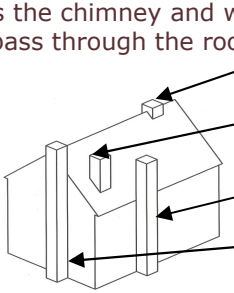


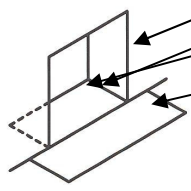
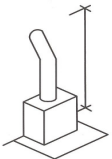
To help us work out your options or an estimate for a chimney relining system, we need to have the following basic information. You can print this questionnaire, fill out the details and then send us a copy or just call us. *We have included some tips and advice in italics.*

### TYPE OF CHIMNEY TO BE RELINED

*Circle or write in the appropriate details*

|  |  |
|--|--|
| What is it built of & how old is it?   | Brick - stone - concrete blocks - .....<br><i>If you do not know its age, give a rough guess.....</i>  |
| What lining does it have?  | None - clay liners - concrete liners - .....<br><i>If there is a metal lining in place, what type of appliance was it used with? .....</i>   |
| What is the shape and size of the flue?<br><i>This is important to work out what type &amp; size of liner can be fitted.</i>                       | Square - rectangular - round<br>Flue size is .....   |
| Where is the chimney and where does it pass through the roof?<br> | Inside the property & rising through the ridge or within 600mm (2 feet) of the ridge.<br>Inside the property & rising through the roof down from the ridge.<br>Built into, or on the outside, of the external wall & rising up through the bottom of the sloping roof.<br>Built into, or on the outside, of the gable end.<br>Does it rise in line or within 600mm of the ridge? .....<br>OR Does the chimney rise through a flat roof?..... |
| How many storeys in the property?<br>What is the chimney length?   | It's a Bungalow - 1, 2 or 3 storeys - .....<br>..... <i>Measured from the hearth to the top of the chimney.</i>  |
| If the stack has been removed, where does it stop in the roof space?   |  |
| What type of pot or terminal is on the chimney?  | A round chimney pot - A louvered pot - a down draught cowl<br><i>If it is not one of these please describe it or send us a photo.</i>  |

### DETAILS OF THE HEATING APPLIANCE OR FIRE

|  |   |
|--|---|
| What is the make, model and output ?<br>What fuels will be used?<br>What flue size is specified for the appliance?   | .....<br>Wood - coal - smokeless fuel - oil - gas -<br>..... <i>(This is usually in the fitting instructions).</i>  |
| If a stove is to be fitted in a fireplace opening or an open fire is proposed we need to know the actual dimensions of the fireplace opening.<br> | Height from hearth to top of opening .....<br>Depth of opening front to back.....<br>Width, left to right .....<br>Projection of hearth in front of opening .....<br>Is there or will there be a wooden beam at the top of the opening?- Yes - No<br><i>If there is it may need to be removed or protected from heat.</i> |
| If a freestanding stove or boiler is being installed.<br>   | What is the distance between the hearth and point where the flue pipe goes in the chimney?<br>.....   |

Your name ..... Email.....

Address.....

Telephone..... Mobile..... Date sent.....

**Send completed form to Topstak Chimney Specialists Ltd.** Unit 42, Vale Business Park, Cowbridge, Vale of Glamorgan CF71 7PF Tel: 01446 771567 Fax: 01446 772882 Email: [info@topstak.co.uk](mailto:info@topstak.co.uk)